



GEZE FLOOR SPRINGS AND ALL-GLASS FITTINGS
CLEAR SOLUTIONS. FOR ELEGANT TRANSPARENCY.



TABLE OF CONTENTS

Floor springs for 1-leaf single-action and double-action doors	
GEZE TS 500 NV / TS 500 N EN3	6
GEZE TS 550 NV	13
Floor springs for 1-leaf single-action doors	
GEZE TS 550 NV F	20
GEZE TS 550 NV E	26
Floor springs for 2-leaf single-action doors	
GEZE TS 550 IS	32
GEZE TS 550 E-IS	38
Electrical installation and functional description (E-floor springs)	44
Floor springs with lever and guide rail	
GEZE TS 550 G-variants	46
Accessories and additional product information	
Accessories for floor springs	52
GEZE smoke switch control unit RSZ 6	60
GEZE Patch Fittings	
Glass clamp fittings for floor springs	62
Corner fittings for door leaves and pivot bearings	64
Locks and strike boxes	67
Fanlight fittings with / without connection of side parts	70
Fittings for glass / glass and glass / wall connections	73
GEZE Pendulo System	
All-glass wall system with integrated door closer	76
Configured system	77
System kits	79
GEZE Modular fixed panel profile systems	
One basic profile for different designs	82
System components	83

GEZE TS 500 NV / TS 550 NV / TS 550 AND VARIANTS

Overview table for GEZE floor springs

For 1-leaf doors

	TS 500 NV	TS 500 N EN 3	TS 550 NV	TS 550 NVF	TS 550 NVE	TS 550 F-G	TS 550 E-G
Approval for fire and smoke protection doors				•	•	•	•
Max. door leaf width (mm)	1100	950	1400	1400	1400	1400	1400
Application possibilities:							
Single-action doors (right/left)	•	•	•	•	•	•	•
Opening angle	170°	170°	170°	180°	180°	180°	180°
Double-action doors	•	•	•				
Leaf weight up to (kg)	150	100	300	300	300		
Functions:							
Closing force, adjustable	•	EN 3 fix	•	•	•	•	•
Back check, fixed	•	•	•	•	•		
Hydraulic stop, adjustable	•		•	•	•	•	•
Closing speed, adjustable	•	•	•	•	•	•	•
Mechanical hold-open device	•	•	•				
Electric hold-open device					•		•
Hold-open angle	optional 85° 90° 105° 120°	optional 85° 90° 105° 120°	85° - 165°		75° - 165°		80° - 150°
Mechanical closing sequence control, integrated							
Page	6	6	13	20	26	44	44

● = yes

Table showing the ratio of closing force to door leaf width

Closing force	Door leaf width (mm)
Size 2	up to 850
Size 3	from 850 to 950
Size 4	from 950 to 1100
Size 5	from 1100 to 1250
Size 6	from 1250 to 1400

GEZE TS 500 NV / TS 550 NV / TS 550 AND VARIANTS

For 2-leaf doors

	TS 550 IS	TS 550 E-IS	TS 550 IS-G	TS 550 E-IS-G
Approval for fire and smoke protection doors	•	•	•	•
Max. door leaf width (mm)	1400	1400	1400	1400
Application possibilities:				
Single-action doors (right/left)	•	•	•	•
Opening angle	180°	180°	180°	180°
Double-action doors				
Leaf weight up to kg	250	250		
Functions:				
Closing force, adjustable	•	•	•	•
Back check, fixed	•	•		
Hydraulic stop, adjustable	•	•	•	•
Closing speed, adjustable	•	•	•	•
Mechanical hold-open device				
Electric hold-open device		•		•
Hold-open angle		80° - 175°		80° - 150°
Mechanical closing sequence control, integrated	•	•	•	•
Page	32	38	44	44

Cover plates

There are various cover plates with screw accessories available for GEZE floor springs. These can be used on the right, left and with double-action doors.

Pivot hinges / door rails

Special pivot hinges and door rails with 36 mm pivot point distance are required for the installation of a floor spring on single-action doors. (See Accessories for floor springs from page 54)

The requirement

The standard (EN 1154) stipulates that the door closer size (closing force) must be set to match the door leaf width. The next higher size has to be set if the structural circumstances (door height, door weight) or local conditions (wind influence) make this necessary.

The GEZE solution

The floor spring variants of the TS 500 NV/TS 550 and TS 550 NV series comprise several sizes in one housing. Using an adjustment screw, the corresponding closing force can easily be adapted to the structural and local circumstances.

GEZE TS 500 NV / TS 500 N EN3

GEZE TS 500 NV / TS 500 N EN3

Floor spring for 1-leaf single-action/double-action doors up to 1100 mm leaf width with optional hold-open mechanism

The TS 500 NV and TS 500 N EN3 versions are two floor springs for use with doors with a maximum available leaf width of 1100 mm. The closing speed and hydraulic latching action can be adjusted. The fixed back check prevents uncontrolled opening of the door and prevents damage. The closing force, size 1-4 according to EN 1154, can be adjusted from above with the TS 500 NV and is fixed with the TS 500 N EN3, size 3. The very low overall height of just 42 mm is a welcome benefit for both new constructions and retro-fitting. The safety valve provides protection against intentional overload.

Standard package / scope of delivery

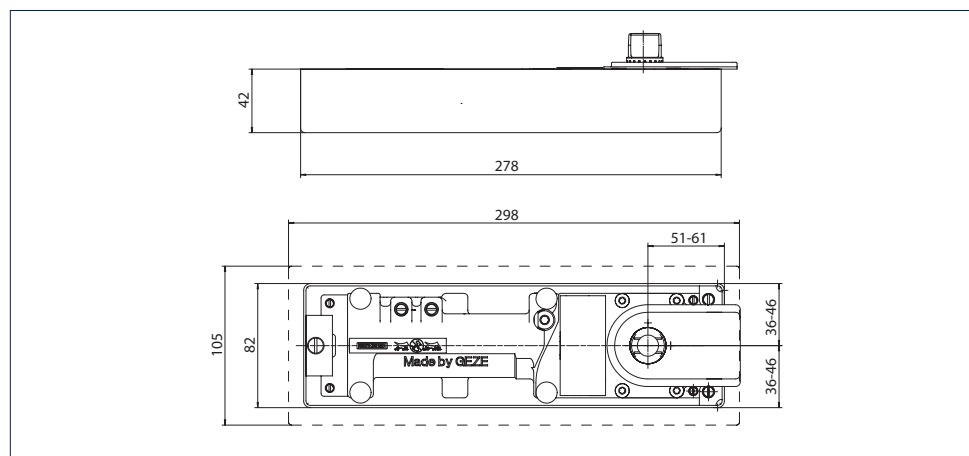
Floor spring complete with flat conical spindle, cement box and installation instructions, without hold-open mechanism (cover plate not included).

Special versions

- with hold-open mechanism 85°, 90°, 105° and 120°
- with extended pivot up to 50 mm (5 mm-grading)



GEZE TS 500 NV



GEZE floor spring TS 500 NV (Dimensions of GEZE TS 500 N EN3 identical)

Area of application TS 500 NV

- For right and left hung doors
- For internal double-action doors
- For leaf widths up to 1100 mm
- For leaf weights up to 150 kg

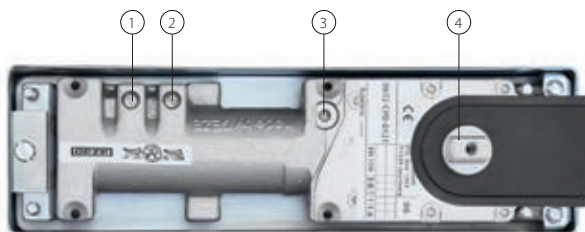
Area of application TS 500 N EN 3

- For right and left hung doors
- For internal double-action doors
- Leaf widths up to 950 mm
- Leaf weights up to 100 kg

Technical data for floor springs

Product features	GEZE TS 500 NV	GEZE TS 500 N EN3
Use on single /double-action door	Single-action door / double-action door	
Closing force in accordance with EN 1154	1 – 4	3
Recommended leaf width up to	1100 mm	950 mm
Leaf weight (max.)	150 kg	100 kg
Door buffer stop DIN direction	left / right	
Product tested in accordance with	Door closer tested in accordance with EN 1154	
Length	278 mm	
Overall depth	82 mm	
Height	42 mm	
Length adjustment range for cement box	10 mm	
Width adjustment range for cement box	10 mm	
Height adjustment range for cement box	6 mm	
Functions		
Adjustable closing force	Yes, stepless	No
Adjustable closing speed	•	•
Adjustable latching action	Yes, via valve	No
Integrated back check	Yes, mechanical, fixed	
Position of closing force adjustment	Top	
Safety valve against wilful damage	•	•
Thermo-control valves	•	•
Closing effect from	170 °	
Hold-open mechanism	Optional	
Hold-open range	85 °, 90 °, 105 °, 120 °	

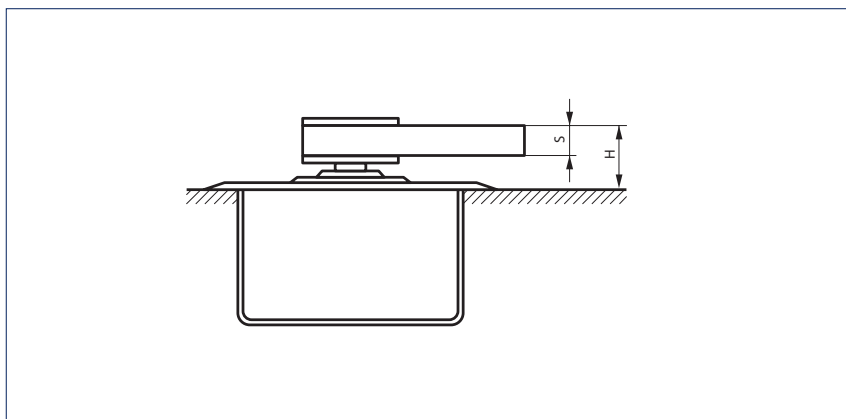
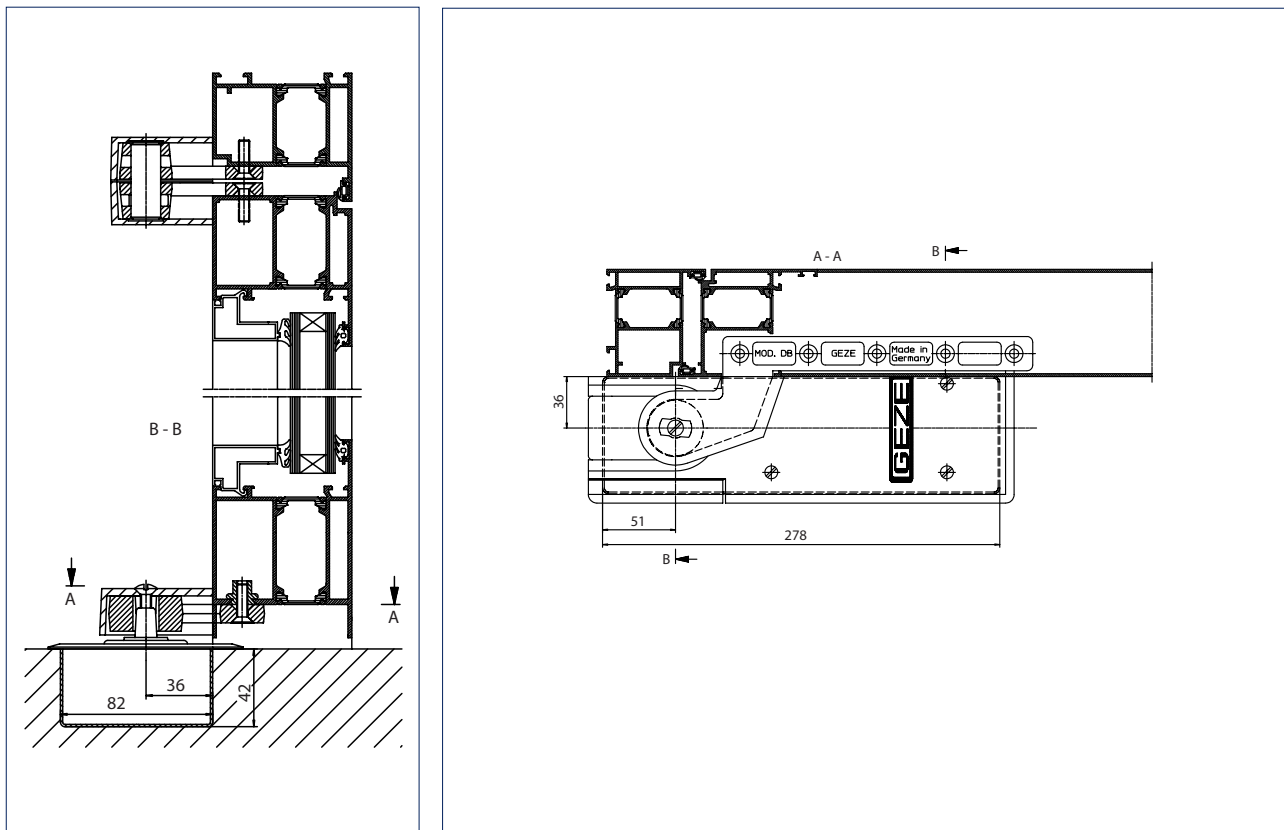
• = YES



- 1 = Latching action adjustment
 2 = Closing speed adjustment
 3 = Closing force adjustment
 4 = Spur-cut spindle

Standard installation

Example of door rail, pivot hinge and floor spring installation on a single-action door (aluminium):



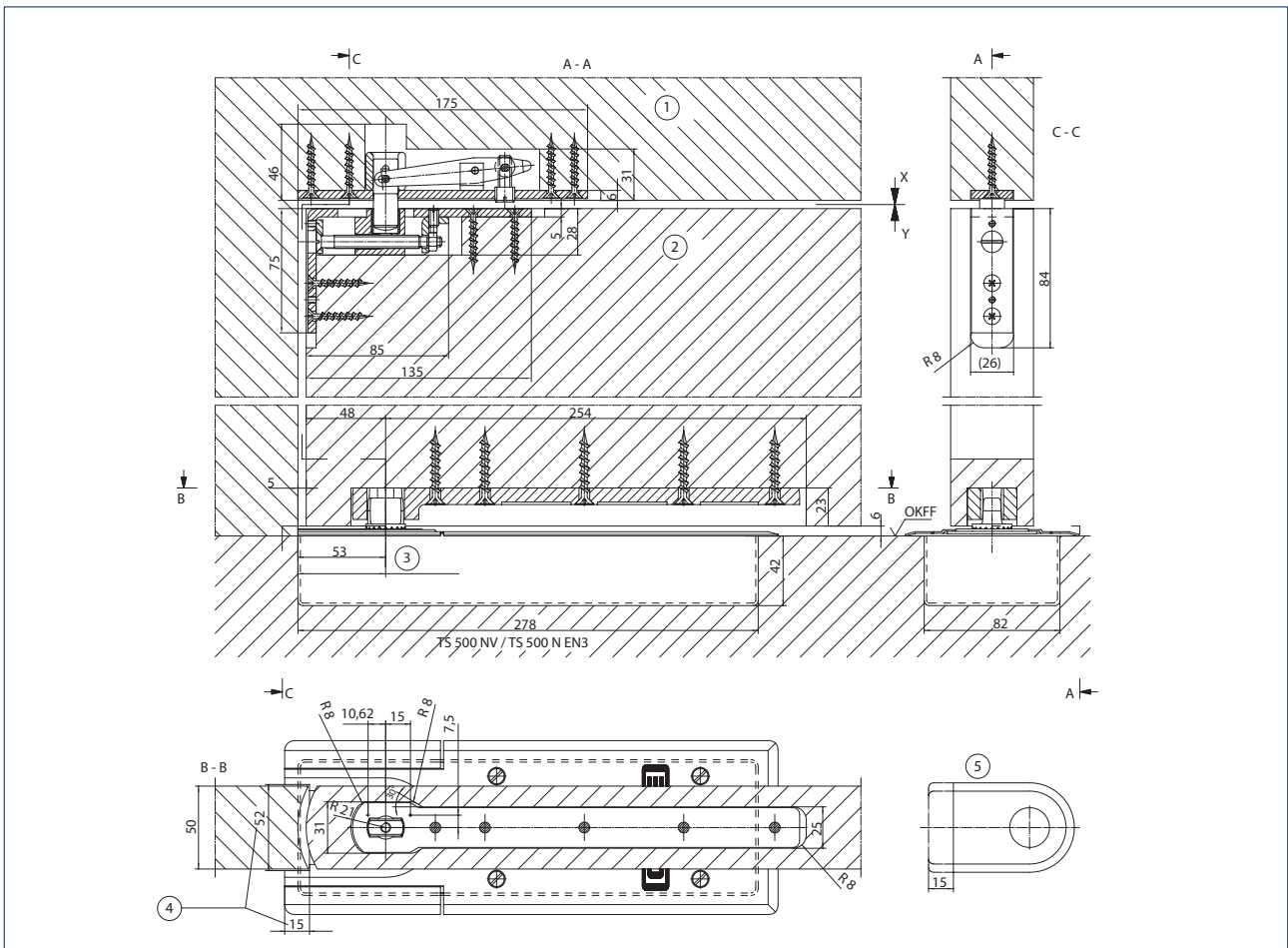
Door rail model DM, DB, EK, FK for single-action doors

H = Installation height dimension

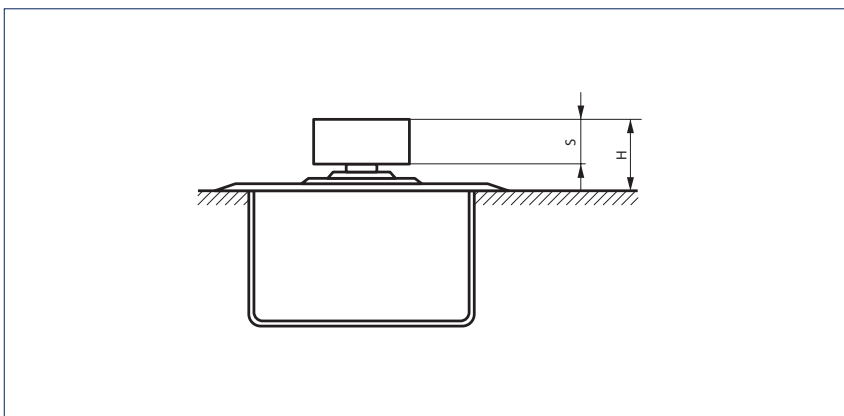
With extended spindles, the installation height dimension „H“ is increased by the respective pivot extension

Model	S	H
DM	16 mm	27 mm
DB, EK, FK	10 mm	24 mm

Example of door rail, pivot hinge and floor spring installation on a double-action door:



- 1 = Pivot top
- 2 = Pivot bottom
- 3 = Adjustment range 51 - 61
- 4 = Cover plate levered out
- 5 = Cover plates - cap shortened
- OKFF = Finished floor level



Door rail model CM, C for double-action doors

With extended spindles, the installation height dimension „H“ is increased by the respective pivot extension

Model	S	H
CM	19 mm	29 mm
C	19 mm	29 mm

Order information

Description	DIN direction	Hold-open angle	Spindle extension	Version	ID no.
GEZE TS 500 NV closer Size EN 1-4, optionally with fixed mechanical hold-open device (without cover plate and accessories) ¹⁾	left / right	0 °		silver	102084
	left / right	85 °		silver	103974
	left / right	90 °		silver	104028
	left / right	105 °		silver	104029
	left / right	120 °		silver	104030
GEZE TS 500 N EN3 closer Size EN 3, optionally with fixed mechanical hold-open device (without cover plate and accessories) ¹⁾	left / right	0 °		silver	103086
	left / right	85 °		silver	104046
	left / right	90 °		silver	104047
	left / right	105 °		silver	111594
	left / right	120 °		silver	111596
GEZE floor spring cover plate for TS 500 NV / TS 500 N EN3				dark bronze	103011
				brass	103012
				stainless steel	102127
Accessories					
GEZE cover caps for door rails (flush-impact doors) suitable for model DB, DM, EK, FK	left			simulated stainless steel	137586
	left			dark bronze	052178
	left			EV1	006794
	left			aluminium, matt	006792
	right			simulated stainless steel	137577
	right			dark bronze	052177
	right			EV1	006798
	right			aluminium, matt	006796
GEZE cover caps for door rails (rebated doors) suitable for model DB, DM, EK, FK	left			simulated stainless steel	137618
	left			dark bronze	045199
	left			EV1	045196
	left			aluminium, matt	045184
	right			simulated stainless steel	137617
	right			dark bronze	045183
	right			EV1	045155
	right			aluminium, matt	045011
GEZE caps for pivot hinges (flush-impact doors) suitable for model DB, EK, FK	left / right			dark bronze	001091
	left / right			EV1	001090
	left / right			aluminium, matt	001089
	left / right			simulated stainless steel	137640

¹⁾ The specified hold-open angle is valid for single-action doors. When it comes to double-action doors, this hold-open angle is respectively 5° larger.

Description	DIN direction	Hold-open angle	Spindle extension	Version	ID no.
GEZE caps for pivot hinges (rebated doors) suitable for model DB, EK, FK	left			dark bronze	038272
	left			EV1	037918
	left			aluminium, matt	037917
	right			dark bronze	038308
	right			EV1	038302
	right			aluminium, matt	038284
	left			simulated stainless steel	137641
	right			simulated stainless steel	137642
GEZE spindle cap for floor spring ²⁾ with flat cone, including clamping-extension bolt	left / right		10 mm		010338
	left / right		13 mm		052170
	left / right		15 mm		010347
	left / right		20 mm		010372
	left / right		25 mm		010373
	left / right		28 mm		050931
	left / right		30 mm		010374
	left / right		35 mm		010377
	left / right		40 mm		010378
	left / right		45 mm		010381
	left / right		5 mm		010337
	left / right		50 mm		010385
	left / right		8 mm		050930
	left / right		0 mm		050644
GEZE spindle cap for floor spring with square for double-action doors, including clamping-extension bolt			0 mm		053315
GEZE spindle cap for floor spring ²⁾ with square for single-action doors, including clamping-extension bolt	left		10 mm		053958
	left		15 mm		053960
	left		20 mm		053962
	left		25 mm		053964
	left		5 mm		053956
	left		0 mm		053954
	right		10 mm		053959
	right		15 mm		053961
	right		20 mm		053963
	right		25 mm		053965
	right		5 mm		053957
	right		0 mm		053955
	GEZE pivot hinge top cover plate for pivot hinge model B and C				EV1
GEZE door rail for double-action doors Model C, for metal and wooden doors				flat cone	007432
GEZE door rail for double-action doors Model CM, for metal doors, on-site adaptation to profile system, without surface treatment				galvanised	021817
GEZE door rail for double-action doors Model CM, for metal doors, adapted to profile system				flat cone	001067
GEZE door rail for single-action doors Model DB, for rebated, flush-impact metal and wooden doors				flat cone	044579
				square	037581

²⁾ Use of a longer spindle can be necessary depending on the installation situation. This is no problem for any of the GEZE floor spring variants of the TS 500 NV/TS 550/TS 550 NV series, where the standard spindle is simply unscrewed and the longer pivot is put in place.

GEZE TS 500 NV / TS 500 N EN3

Description	DIN direction	Hold-open angle	Spindle extension	Version	ID no.
GEZE door rail for single-action doors Model DM, for metal doors, on-site adaptation to profile system, without surface treatment				flat cone	037630
				square	037631
GEZE door rail for single-action doors Model DM, for metal doors, adapted to profile system with flat cone or square				galvanised	001068
GEZE door rail for single-action doors Model EK, for welding to steel doors				flat cone	008269
				square	006696
				flat cone	008270
				square	006699
GEZE door rail for double-action doors Model S, for welding to steel doors				flat cone	007434
GEZE sealing compound for floor springs For use in wet rooms and for installation on the outside of buildings, two-component system, sufficient for 1 cement box					058879
GEZE adjustable pivot hinge for double-action doors Model B, suitable for door rails C, CM, S				pivot pin 43 mm	006371
				pivot pin 55 mm	000108
				pivot pin 65 mm	000903
GEZE adjustable pivot hinge for double-action doors Model C, suitable for door rails C, CM, S				pivot pin 43 mm	006666
				pivot pin 55 mm	000905
				pivot pin 65 mm	000904
GEZE pivot hinge for single-action doors Model DB, for rebated, flush-impact metal and wooden doors				combination b DIN left	044697
				combination b DIN right	044680
				combination c	044787
				combination a	044676
GEZE pivot hinge for single-action doors Model EK, for welding to steel doors				combination a	006719
				combination b DIN left	000889
				combination b DIN right	000890
GEZE pivot hinge for single-action doors Model FK, for welding to steel doors				combination c	000891
				combination a	006724
				combination b DIN left	000895
				combination b DIN right	000896
				combination c	000897

* See page 55 onwards for more information regarding possible combinations

GEZE TS 550 NV

Floor spring for 1-leaf single-action/double-action doors up to 1400 mm leaf width with a hold-open mechanism that can be switched on and off

The floor spring TS 550 NV with a hold-open mechanism that can be switched on and off has been specifically further developed for use with heavy 1-leaf single-action and double-action doors with maximum leaf weights of up to 300 kg. The closing speed and hydraulic latching action can be regulated. The closing force, size 3-6 according to EN 1154, can be adjusted with the TS 550 NV. The safety valve provides protection against intentional overload. The stepless hold-open mechanism permits an opening angle from 80°-165°. The versatility and robust nature of the TS 550 NV means that it is ideal for use in areas that are used frequently, for example, office complexes and house entrances. Reinforced, high-quality cover plates ensure an excellent overall appearance even after many years of use.

Standard version / scope of delivery

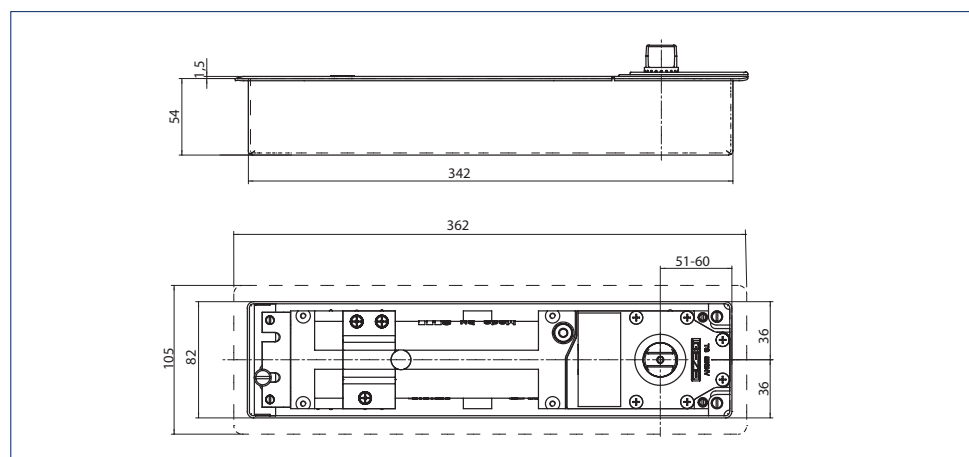
Floor spring complete with flat conical spindle, cement box and installation instructions (cover plate not included).

Special versions

- with extended spindle up to 50 mm (5 mm-grading)



GEZE TS 550 NV



GEZE floor spring TS 550 NV

GEZE TS 550 NV

Area of application

- For right and left hung doors
- For double-action doors
- For highly frequented doors
- For leaf widths up to 1400 mm
- For leaf weights up to 300 kg

Technical data for floor springs

Product features	GEZE TS 550 NV
Use on single-/double-action door	Single-action door, Double-action door
Closing force in accordance with EN 1154	3 - 6
Recommended leaf width up to	1400 mm
Leaf weight (max.)	300 kg
Door buffer stop DIN direction	left / right
Product tested in accordance with	Door closer tested in accordance with EN 1154
Length	342 mm
Overall depth	82 mm
Height	54 mm
Length adjustment range for cement box	9 mm
Width adjustment range for cement box	10 mm
Height adjustment range for cement box	6 mm
Functions	
Adjustable closing force	Yes, stepless
Adjustable closing speed	•
Adjustable latching action	Yes, via valve
Integrated back check	Yes, mechanical, fixed
Integrated delayed closing action	•
Position of closing force adjustment	Top
Safety valve against wilful damage	•
Thermo-control valves	•
Closing effect from	170 °
Hold-open mechanism	Mechanical
Hold-open mechanism can be switched on and off	•
Hold-open mechanism with override possibility	•

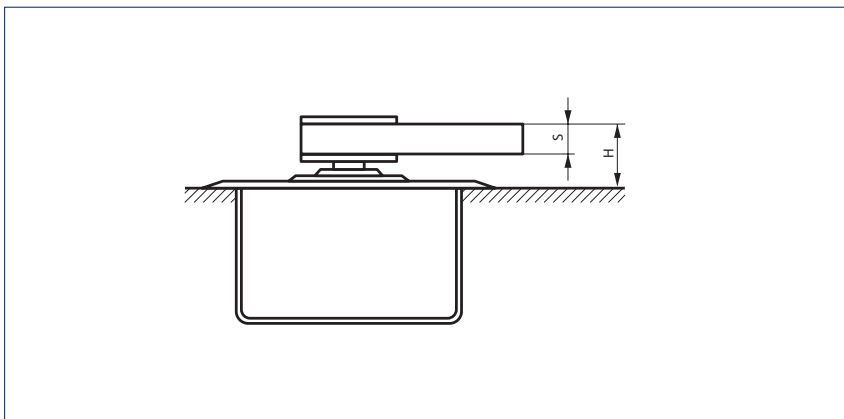
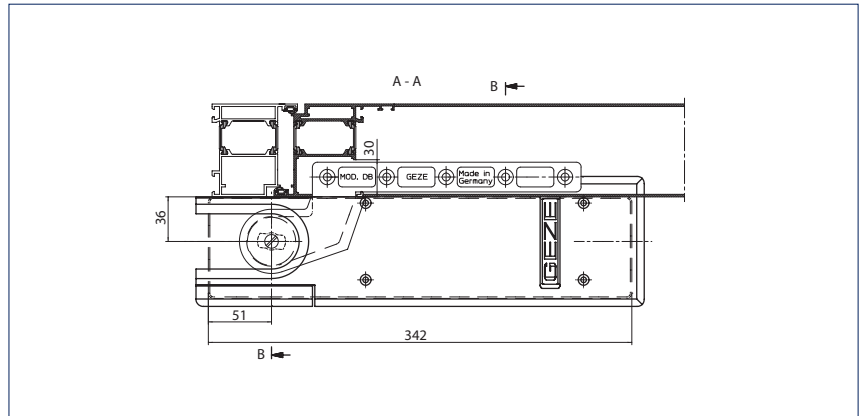
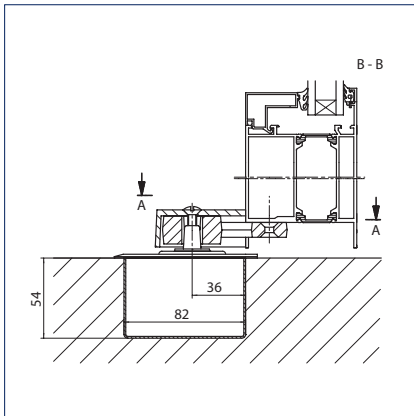
• = YES



- 1 = Latching action adjustment
- 2 = Closing speed adjustment
- 3 = Setting hold-open device / delayed closing action
- 4 = Closing force adjustment
- 5 = Spur-cut spindle

Standard installation

Example of door rail, pivot hinge and floor spring installation on a single-action door (aluminium):



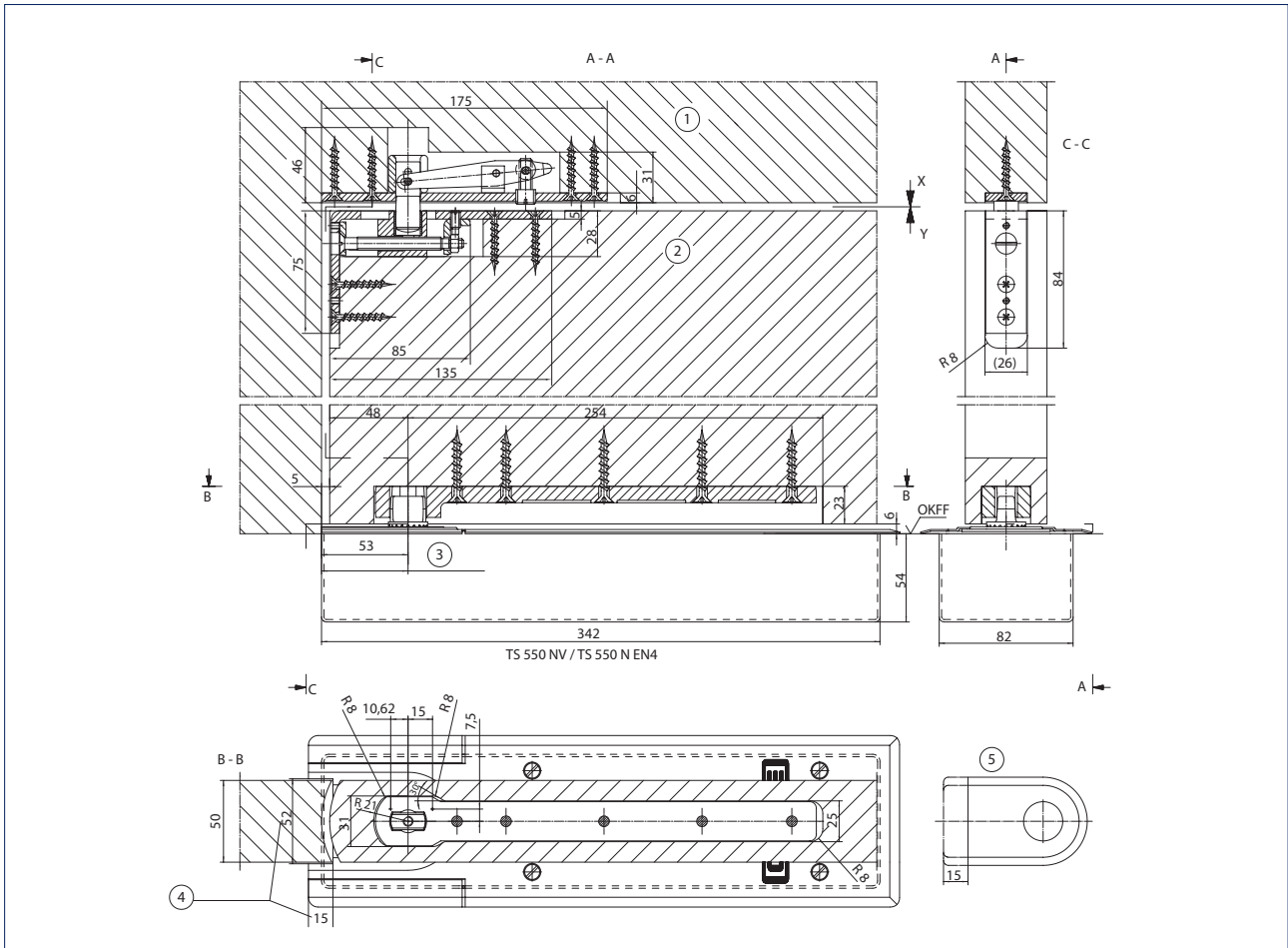
Door rail model DM, DB, EK, FK for single-action doors

H = Installation height dimension

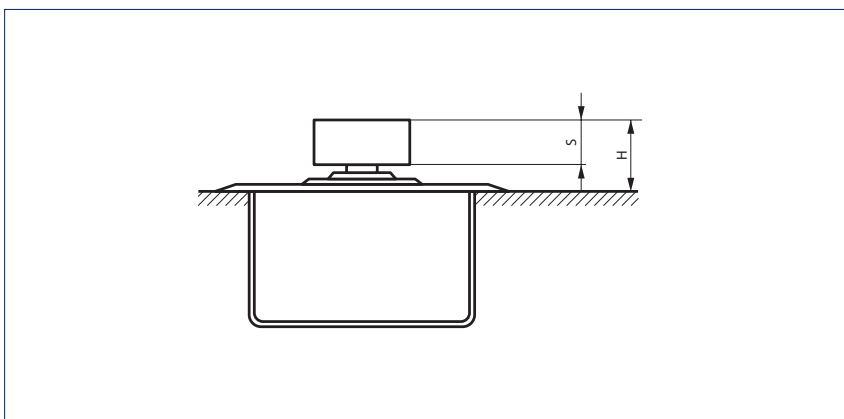
With extended spindles, the installation height dimension „H“ is increased by the respective pivot extension

Model	S	H
DM	16 mm	27 mm
DB, EK, FK	10 mm	24 mm

Example of door rail, pivot hinge and floor spring installation on a double-action door:



- 1 = Pivot top
- 2 = Pivot bottom
- 3 = Adjustment range 51 - 60
- 4 = Cover plate levered out
- 5 = Cover plates - cap shortened
- OKFF = Finished floor level



Door rail model CM, C for double-action doors

With extended spindles, the installation height dimension „H“ is increased by the respective pivot extension

Model	S	H
CM	19 mm	29 mm
C	19 mm	29 mm

GEZE TS 550 NV - Order information

Description	DIN direction	Spindle extension	Version	ID no.
GEZE TS 550 NV closer Size EN 3-6, with integrated hold-open device, hold-open range 85° - 165°, can be switched on/off, alternatively delayed closing possible, door leaf weight up to 300 kg (without cover plate and accessories).	left / right		silver	123950
GEZE floor spring cover plate for TS 550 NV / TS 550 NV F Sturdy cover plates, 1.5 mm thick			dark bronze	125889
			brass	125890
			stainless steel	125888
Accessories				
GEZE cover caps for door rails (flush-impact doors) suitable for model DB, DM, EK, FK	left		simulated stainless steel	137586
	left		dark bronze	052178
	left		EV1	006794
	left		aluminium, matt	006792
	right		simulated stainless steel	137577
	right		dark bronze	052177
	right		EV1	006798
	right		aluminium, matt	006796
GEZE cover caps for door rails (rebated doors) suitable for model DB, DM, EK, FK	left		simulated stainless steel	137618
	left		dark bronze	045199
	left		EV1	045196
	left		aluminium, matt	045184
	right		simulated stainless steel	137617
	right		dark bronze	045183
	right		EV1	045155
	right		aluminium, matt	045011
GEZE caps for pivot hinges (flush-impact doors) suitable for model DB, EK, FK	left / right		dark bronze	001091
	left / right		EV1	001090
	left / right		aluminium, matt	001089
	left / right		simulated stainless steel	137640
GEZE caps for pivot hinges (rebated doors) suitable for model DB, EK, FK	left		dark bronze	038272
	left		EV1	037918
	left		aluminium, matt	037917
	right		dark bronze	038308
	right		EV1	038302
	right		aluminium, matt	038284
	left		simulated stainless steel	137641
	right		simulated stainless steel	137642

Description	DIN direction	Spindle extension	Version	ID no.
GEZE spindle cap for floor spring ²⁾ with flat cone, including clamping-extension bolt	left / right	10 mm		010338
	left / right	13 mm		052170
	left / right	15 mm		010347
	left / right	20 mm		010372
	left / right	25 mm		010373
	left / right	28 mm		050931
	left / right	30 mm		010374
	left / right	35 mm		010377
	left / right	40 mm		010378
	left / right	45 mm		010381
	left / right	5 mm		010337
	left / right	50 mm		010385
	left / right	8 mm		050930
	left / right	0 mm		050644
GEZE spindle cap for floor spring with square for double-action doors, including clamping-extension bolt		0 mm		053315
GEZE spindle cap for floor spring ²⁾ with square for single-action doors, including clamping-extension bolt	left	10 mm		053958
	left	15 mm		053960
	left	20 mm		053962
	left	25 mm		053964
	left	5 mm		053956
	left	0 mm		053954
	right	10 mm		053959
	right	15 mm		053961
	right	20 mm		053963
	right	25 mm		053965
	right	5 mm		053957
	right	0 mm		053955
GEZE pivot top cover plate for pivot hinge model B and C			EV1	006669
GEZE door rail for double-action doors Model C, for metal and wooden doors			flat cone	007432
GEZE door rail for double-action doors Model CM, for metal doors, on-site adaptation to profile system, without surface treatment			galvanised	021817
GEZE door rail for double-action doors Model CM, for metal doors, adapted to profile system			flat cone	001067
GEZE Door rail for single-action doors Model DB, for rebated, flush-impact metal and wooden doors			flat cone	044579
			square	037581
GEZE Door rail for single-action doors Model DM, for metal doors, on-site adaptation to profile system, without surface treatment			flat cone	037630
			square	037631
GEZE Door rail for single-action doors Model DM, for metal doors, adapted to profile system with flat cone or square			galvanised	001068
GEZE Door rail for single-action doors Model EK, for welding to steel doors			flat cone	008269
			square	006696
GEZE Door rail for single-action doors Model FK, for welding to steel doors			flat cone	008270
			square	006699
GEZE door rail for double-action doors Model S, for welding to steel doors			flat cone	007434

²⁾ Use of a longer spindle can be necessary depending on the installation situation. This is no problem for any of the GEZE floor spring variants of the TS 500 NV/TS 550/TS 550 NV series, where the standard spindle is simply unscrewed and the longer spindle is put in place.

Description	DIN direction	Spindle extension	Version	ID no.
GEZE sealing compound for floor springs For use in wet rooms and for installation on the outside of buildings, two-component system, sufficient for 1 cement box				058879
GEZE adjustable pivot hinge for double-action doors Model B, suitable for door rails C, CM, S			pivot pin 43 mm	006371
			pivot pin 55 mm	000108
			pivot pin 65 mm	000903
GEZE adjustable pivot hinge for double-action doors Model C, suitable for door rails C, CM, S			pivot pin 43 mm	006666
			pivot pin 55 mm	000905
			pivot pin 65 mm	000904
GEZE pivot hinge for single-action doors * Model DB, for rebated, flush-impact metal and wooden doors			combination b DIN left	044697
			combination b DIN right	044680
			combination c	044787
			combination a	044676
GEZE pivot hinge for single-action doors * Model EK, for welding to steel doors			combination a	006719
			combination b DIN left	000889
			combination b DIN right	000890
GEZE pivot hinge for single-action doors * Model FK, for welding to steel doors			combination c	000891
			combination a	006724
			combination b DIN left	000895
GEZE pivot hinge for single-action doors * Model FK, for welding to steel doors			combination b DIN right	000896
			combination c	000897

* See page 55 onwards for more information regarding possible combinations

GEZE TS 550 NV F

Floor spring for 1-leaf fire protection doors up to 1400 mm leaf width without hold-open mechanism

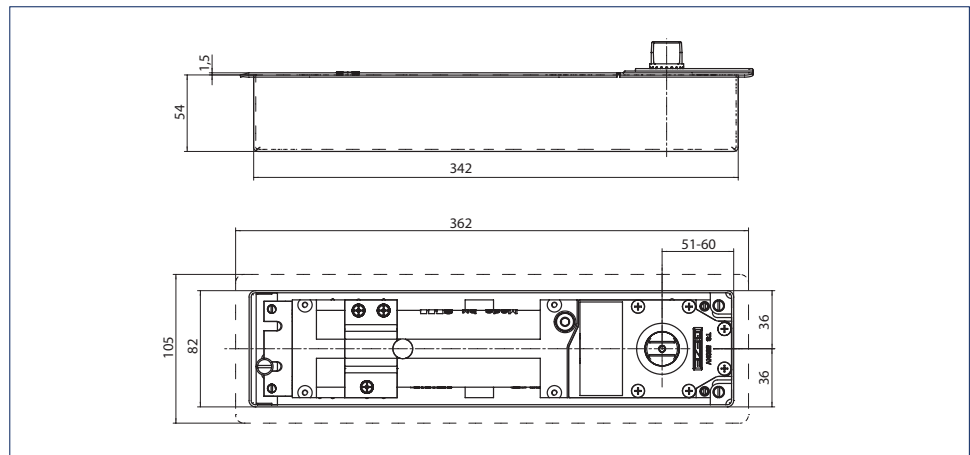
The floor spring TS 550 NV F was developed specifically for inconspicuous use on heavy fire and smoke protection doors and can be used with maximum leaf weights of up to 300 kg. The low installation height of only 54 mm makes it easy to fit, even to existing doors. The closing speed and hydraulic latching action can be regulated. The integrated fixed back check prevents uncontrolled opening of the door and prevents damage. The closing force, size 3-6 according to EN 1154, is variably adjustable from above. The safety valve provides protection against intentional overload.

Standard package / scope of delivery

Floor spring complete with flat conical spindle, cement box and installation instructions (cover plate not included).



GEZE TS 550 NV F



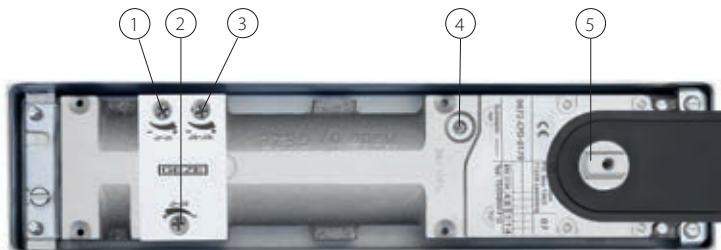
Area of application

- For fire protection doors without hold-open mechanism
- For right and left hung doors
- For highly frequented doors
- For leaf widths up to 1400 mm
- For leaf weights up to 300 kg

Technical data for floor springs

Product features	GEZE TS 550 NV F
Use on single / double-action door	Single-action door
Closing force in accordance with EN 1154	3 - 6
Recommended leaf width up to	1400 mm
Leaf weight (max.)	300 kg
Door buffer stop DIN direction	left / right
Product tested in accordance with	Door closer tested in accordance with EN 1154
Length	342 mm
Overall depth	82 mm
Height	54 mm
Length adjustment range for cement box	9 mm
Width adjustment range for cement box	10 mm
Height adjustment range for cement box	6 mm
Functions	
Adjustable closing force	Yes, stepless
Adjustable closing speed	•
Adjustable latching action	Yes, via valve
Integrated back check	Yes, mechanical, fixed
Integrated delayed closing action	•
Position of closing force adjustment	Top
Safety valve against wilful damage	•
Thermo-control valves	•
Closing effect from	180°
Hold-open mechanism	No

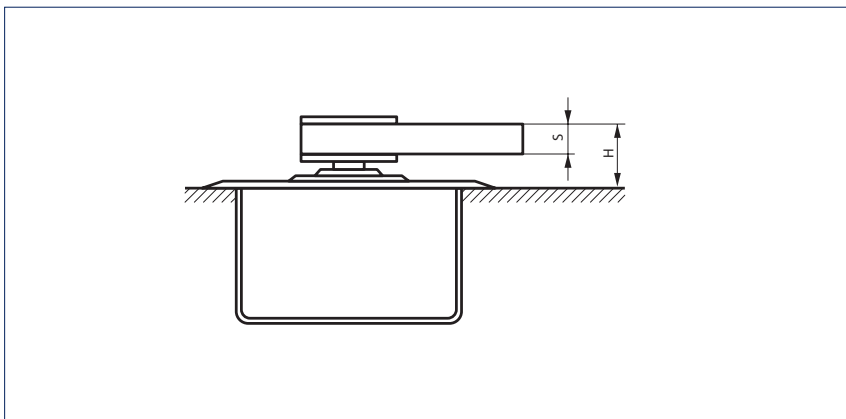
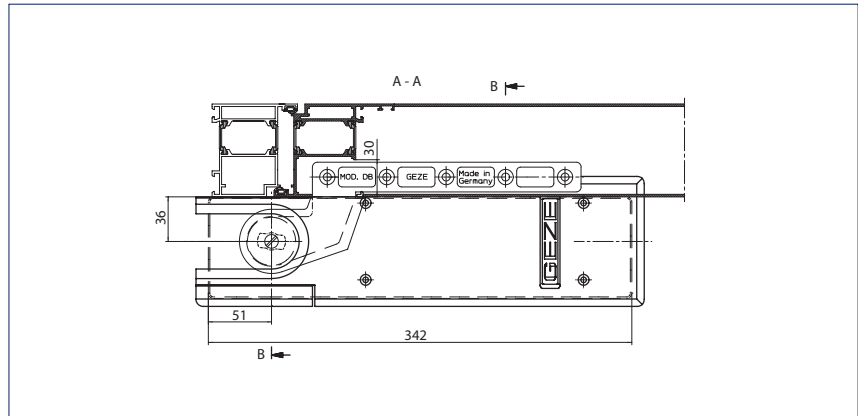
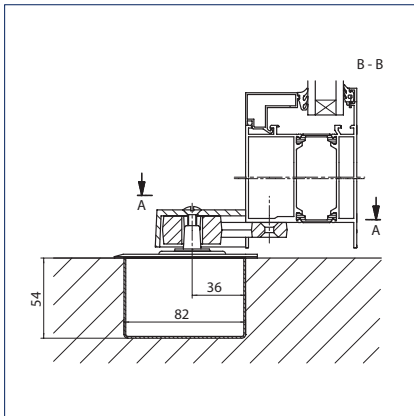
• = YES



- 1 = Latching action adjustment
- 2 = Closing speed adjustment
- 3 = Setting hold-open device / delayed closing action
- 4 = Closing force adjustment
- 5 = Spur-cut spindle

Standard installation

Example of door rail, pivot hinge and floor spring installation on a single-action door (aluminium):



Door rail model DM, DB, EK, FK for single-action doors

H = Installation height dimension

With extended spindles, the installation height dimension „H“ is increased by the respective pivot extension

Model	S	H
DM	16 mm	27 mm
DB, EK, FK	10 mm	24 mm

GEZE TS 550 NV F - Order information

Description	DIN direction	Spindle extension	Version	ID no.
GEZE TS 550 NV F closer Size EN 3-6, closing effect from 180°, without hold-open device, delayed closing possible, door leaf weight up to 300 kg (without cover plate and accessories)	left		silver	132755
	right		silver	132754
GEZE floor spring cover plate for TS 550 NV / TS 550 NV F			dark bronze	125889
			brass	125890
			stainless steel	125888
Accessories				
GEZE cover caps for door rails (flush-impact doors) suitable for model DB, DM, EK, FK	left		simulated stainless steel	137586
	left		dark bronze	052178
	left		EV1	006794
	left		aluminium, matt	006792
	right		simulated stainless steel	137577
	right		dark bronze	052177
	right		EV1	006798
	right		aluminium, matt	006796
GEZE cover caps for door rails (rebated doors) suitable for model DB, DM, EK, FK	left		simulated stainless steel	137618
	left		dark bronze	045199
	left		EV1	045196
	left		aluminium, matt	045184
	right		simulated stainless steel	137617
	right		dark bronze	045183
	right		EV1	045155
	right		aluminium, matt	045011
GEZE caps for pivot hinges (flush-impact doors) suitable for model DB, EK, FK	left / right		dark bronze	001091
	left / right		EV1	001090
	left / right		aluminium, matt	001089
	left / right		simulated stainless steel	137640
GEZE caps for pivot hinges (rebated doors) suitable for model DB, EK, FK	left		dark bronze	038272
	left		EV1	037918
	left		aluminium, matt	037917
	right		dark bronze	038308
	right		EV1	038302
	right		aluminium, matt	038284
	left		simulated stainless steel	137641
	right		simulated stainless steel	137642

GEZE TS 550 NV F

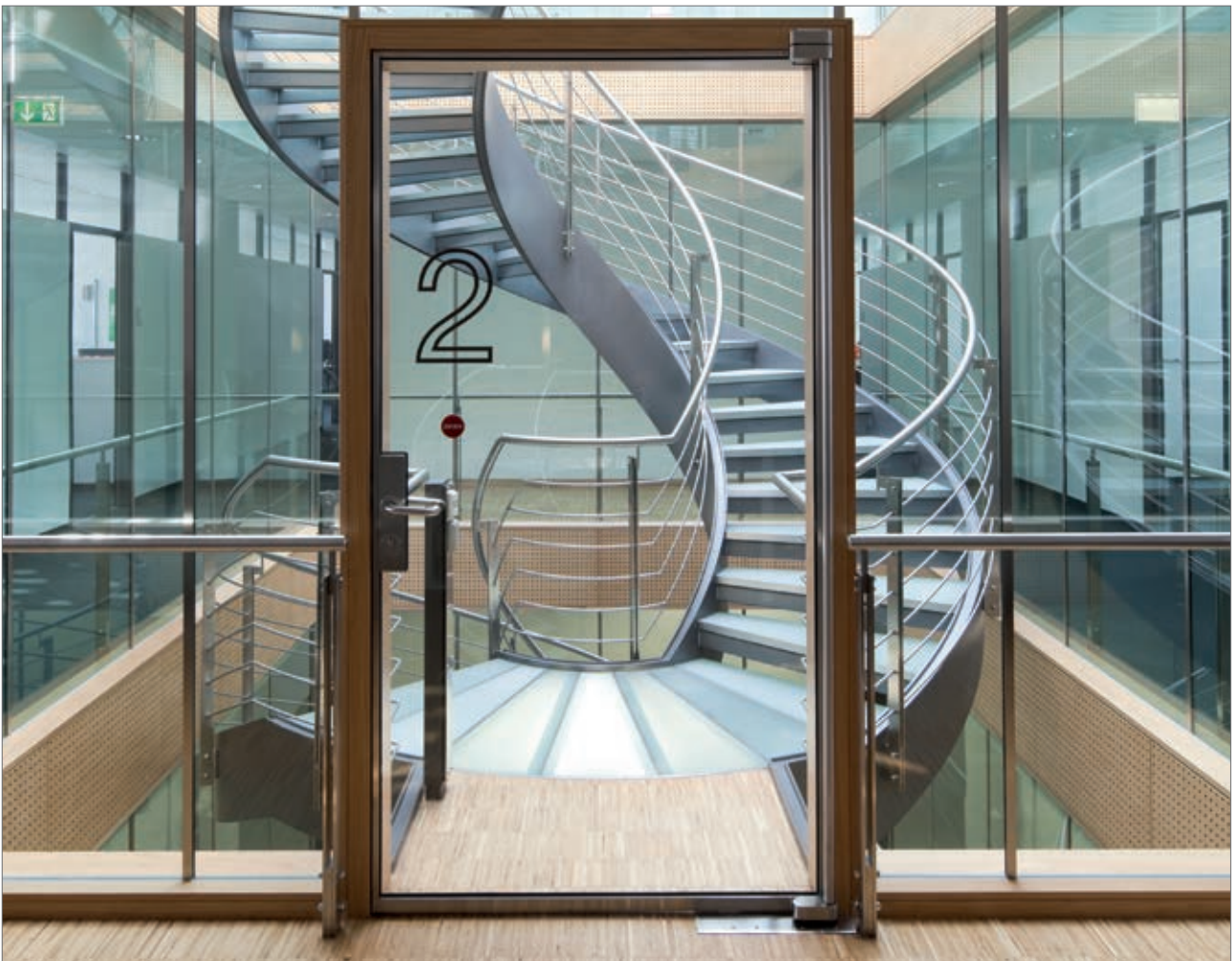
Description	DIN direction	Spindle extension	Version	ID no.
GEZE spindle cap for floor spring with flat cone, including clamping-extension bolt ^{2) 3)}	left / right	10 mm		010338
	left / right	13 mm		052170
	left / right	15 mm		010347
	left / right	20 mm		010372
	left / right	25 mm		010373
	left / right	28 mm		050931
	left / right	30 mm		010374
	left / right	35 mm		010377
	left / right	40 mm		010378
	left / right	45 mm		010381
	left / right	5 mm		010337
	left / right	50 mm		010385
	left / right	8 mm		050930
	left / right	0 mm		050644
	GEZE spindle cap for floor spring ^{2) 3)} with square for single-action doors, including clamping-extension bolt	left	10 mm	
left		15 mm		053960
left		20 mm		053962
left		25 mm		053964
left		5 mm		053956
left		0 mm		053954
right		10 mm		053959
right		15 mm		053961
right		20 mm		053963
right		25 mm		053965
right		5 mm		053957
right		0 mm		053955
GEZE door rail for single-action doors Model DB, for rebated, flush-impact metal and wooden doors			flat cone	044579
			square	037581
GEZE door rail for single-action doors Model DM, for metal doors, on-site adaptation to profile system, without surface treatment			flat cone	037630
			square	037631
GEZE door rail for single-action doors Model DM, for metal doors, adapted to profile system with flat cone or square			galvanised	001068
GEZE door rail for single-action doors * Model EK, for welding to steel doors			flat cone	008269
			square	006696
GEZE door rail for single-action doors * Model FK, for welding to steel doors			flat cone	008270
			square	006699
GEZE sealing compound for floor springs For use in wet rooms and for installation on the outside of buildings, two-component system, sufficient for 1 cement box				058879
GEZE pivot hinge for single-action doors * Model DB, for rebated, flush-impact metal and wooden doors			combination b DIN left	044697
			combination b DIN right	044680
			combination c	044787
			combination a	044676

2) Use of a longer spindle can be necessary depending on the installation situation. This is no problem for any of the GEZE floor spring variants of the TS 500 NV/TS 550/TS 550 NV series, where the standard spindle is simply unscrewed and the longer spindle in place.

3) Only permissible for fire and smoke protection doors when this use is included in the approval certificate of the door.

Description	DIN direction	Spindle extension	Version	ID no.
GEZE pivot hinge for single-action doors * Model EK, for welding to steel doors			combination a	006719
			combination b DIN left	000889
			combination b DIN right	000890
GEZE pivot hinge for single-action doors * Model FK, for welding to steel doors			combination c	000891
			combination a	006724
			combination b DIN left	000895
			combination b DIN right	000896
			combination c	000897

* See page 55 onwards for more information regarding possible combinations



GEZE TS 550 NV F, Company Vector, Stuttgart, Germany (Photo: Dirk Wilhelmy)

GEZE TS 550 NV E

Floor spring with electric hold-open device for 1-leaf fire and smoke protection doors up to 1400 mm leaf width

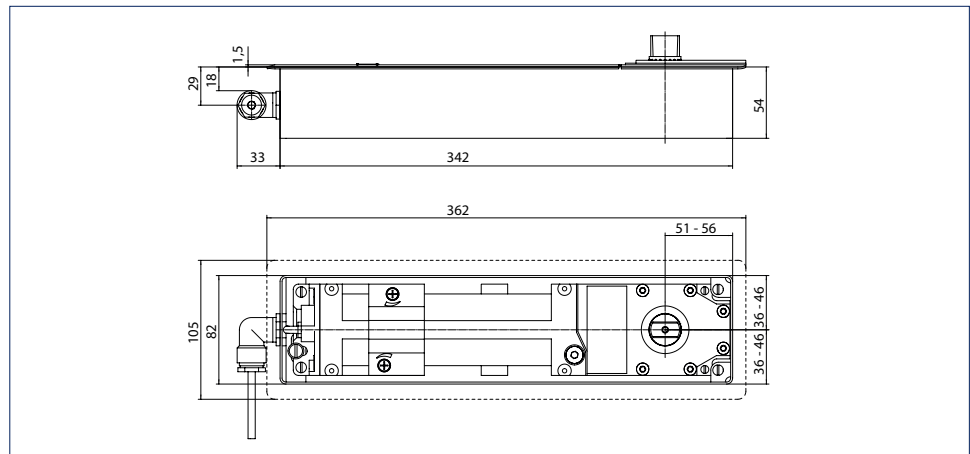
The floor spring TS 550 NV E has been tested in accordance with DIN EN 1155 and can be held open in any position between 75° and 165° due to the electric hold-open device. This allows the door to be held open for any length of time. The door closer is suitable for use on fire and smoke protection doors. The closing speed and hydraulic latching action can be regulated. The closing force, size 3-6 according to EN 1154, can be variably adjusted from above. A safety valve helps prevent intentional overloading. The closer is authorised for use with renowned smoke detector systems by DIBt (the German Centre of Competence for Construction).

Standard package / scope of delivery

Floor spring complete with flat conical spindle, cement box and installation instructions (cover plate not included).



GEZE TS 550 NV E



Area of application

- For right and left hung doors
- For leaf widths up to 1400 mm
- For leaf weights up to 300 kg
- For fire and smoke protection doors with provision for floor springs

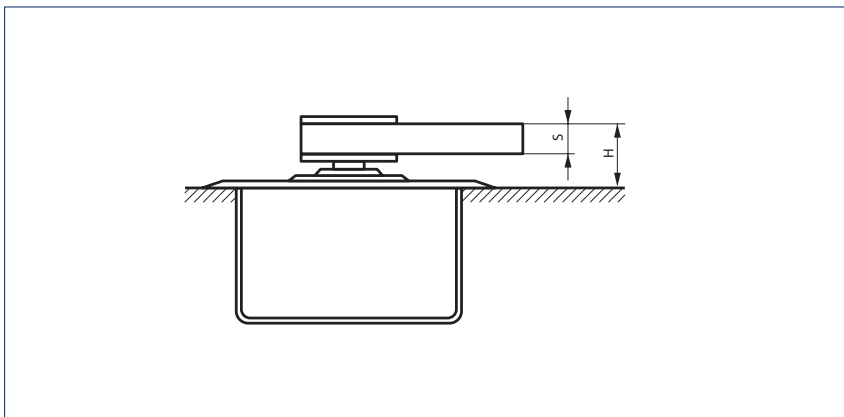
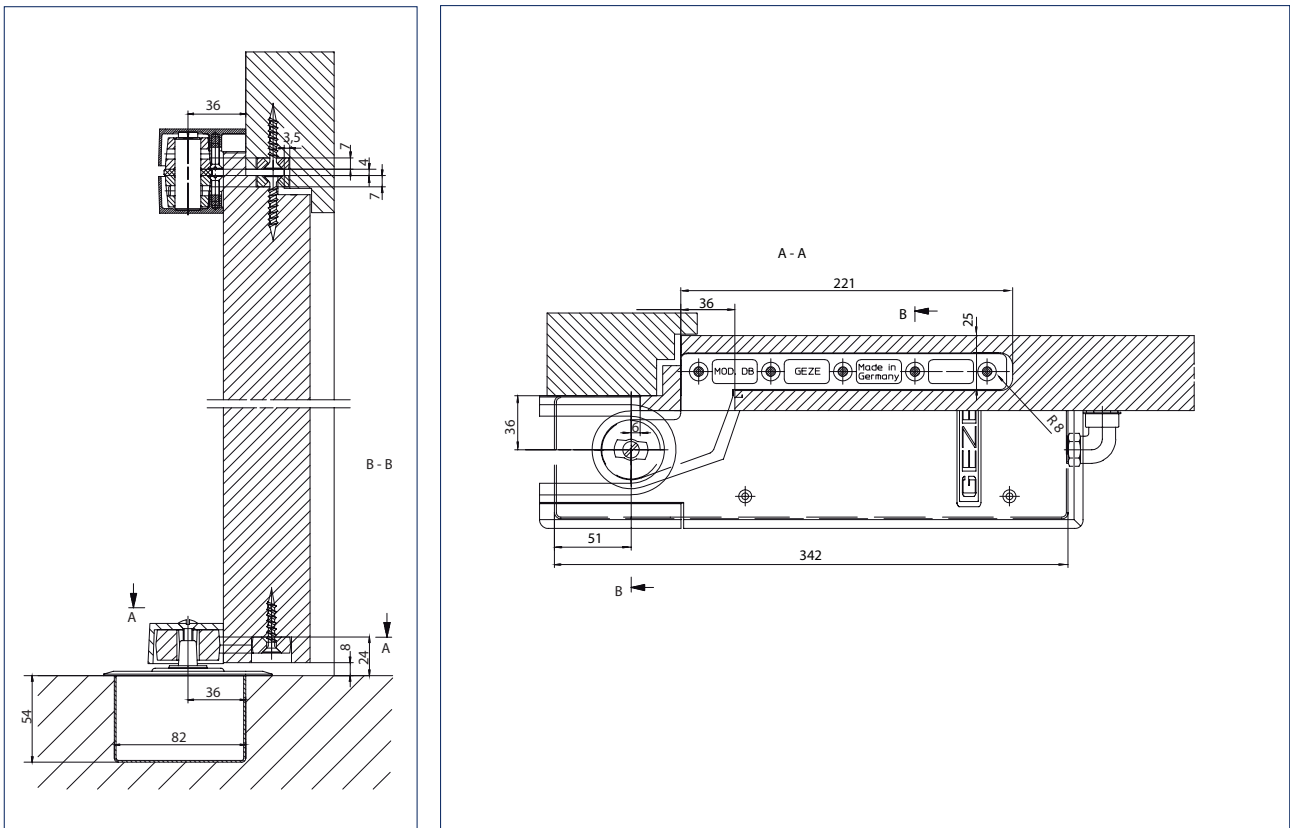
Technical data for floor springs

Product features	GEZE TS 550 NV E
Use on single / double-action door	Single-action door
Closing force in accordance with EN 1154	3 – 6
Recommended leaf width up to	1400 mm
Leaf weight (max.)	300 kg
Door buffer stop DIN direction	left / right
Product tested in accordance with	Door closer tested in accordance with EN 1154, hold-open mechanism tested in accordance with EN 1155
Length	342 mm
Overall depth	82 mm
Height	54 mm
Length adjustment range for cement box	5 mm
Width adjustment range for cement box	10 mm
Height adjustment range for cement box	6 mm
Functions	
Adjustable closing force	Yes, stepless
Adjustable closing speed	•
Adjustable latching action	Yes, via valve
Position of closing force adjustment	Top
Safety valve against wilful damage	•
Thermo-control valves	•
Closing effect from	180°
Hold-open mechanism	Electrical
Hold-open range	75° – 165°

• = YES

Standard installation

Example of door rail, pivot hinge and floor spring installation on a single-action door:



Door rail model DM, DB, EK, FK for single-action doors

H = Installation height dimension

With extended spindles, the installation height dimension „H“ is increased by the respective pivot extension

Model	S	H
DM	16 mm	27 mm
DB, EK, FK	10 mm	24 mm

GEZE TS 550 NV E - Order information

Description	DIN di- rection	Spindle extension	Version	ID no.
GEZE TS 550 NV E closer Floor spring with electric hold-open device for 1-leaf fire and smoke protection doors up to 1400 mm leaf width, 24 V DC	left		silver	136481
	right		silver	136480
	left		silver	141707
	right		silver	141706
GEZE floor spring cover plate for TS 550 NV / TS 550 NV F			dark bronze	125889
			brass	125890
			stainless steel	125888
Accessories				
GEZE cover caps for door rails (flush-impact doors) suitable for model DB, DM, EK, FK	left		simulated stainless steel	137586
	left		dark bronze	052178
	left		EV1	006794
	left		aluminium, matt	006792
	right		simulated stainless steel	137577
	right		dark bronze	052177
	right		EV1	006798
	right		aluminium, matt	006796
GEZE cover caps for door rails (rebated doors) suitable for model DB, DM, EK, FK	left		simulated stainless steel	137618
	left		dark bronze	045199
	left		EV1	045196
	left		aluminium, matt	045184
	right		simulated stainless steel	137617
	right		dark bronze	045183
	right		EV1	045155
	right		aluminium, matt	045011
GEZE caps for pivot hinges (flush-impact doors) suitable for model DB, EK, FK	left / right		dark bronze	001091
	left / right		EV1	001090
	left / right		aluminium, matt	001089
	left / right		simulated stainless steel	137640
GEZE caps for pivot hinges (rebated doors) suitable for model DB, EK, FK	left		dark bronze	038272
	left		EV1	037918
	left		aluminium, matt	037917
	right		dark bronze	038308
	right		EV1	038302
	right		aluminium, matt	038284
	left		simulated stainless steel	137641
	right		simulated stainless steel	137642

GEZE TS 550 NV E

Description	DIN di- rection	Spindle extension	Version	ID no.
GEZE spindle cap for floor spring ^{2) 3)} with flat cone, including clamping-extension bolt	left / right	10 mm		010338
	left / right	13 mm		052170
	left / right	15 mm		010347
	left / right	20 mm		010372
	left / right	25 mm		010373
	left / right	28 mm		050931
	left / right	30 mm		010374
	left / right	35 mm		010377
	left / right	40 mm		010378
	left / right	45 mm		010381
	left / right	5 mm		010337
	left / right	50 mm		010385
	left / right	8 mm		050930
	left / right	0 mm		050644
GEZE spindle cap for floor spring ^{2) 3)} with square for single-action doors, including clamping-extension bolt	left	10 mm		053958
	left	15 mm		053960
	left	20 mm		053962
	left	25 mm		053964
	left	5 mm		053956
	left	0 mm		053954
	right	10 mm		053959
	right	15 mm		053961
	right	20 mm		053963
	right	25 mm		053965
	right	5 mm		053957
right	0 mm		053955	
Protective hose for E floor springs 3 m, for straightforward cable routing				063558
GEZE door rail for single-action doors Model DB, for rebated, flush-impact metal and wooden doors			flat cone	044579
			square	037581
GEZE door rail for single-action doors Model DM, for metal doors, on-site adaptation to profile system, without surface treatment			flat cone	037630
			square	037631
GEZE door rail for single-action doors Model DM, for metal doors, adapted to profile system with flat cone or square			galvanised	001068
GEZE door rail for single-action doors * Model EK, for welding to steel doors			flat cone	008269
			square	006696
GEZE door rail for single-action doors * Model FK, for welding to steel doors			flat cone	008270
			square	006699
GEZE sealing compound for floor springs For use in wet rooms and for installation on the outside of buildings, two- component system, sufficient for 1 cement box				058879
GEZE pivot hinge for single-action doors * Model DB, for rebated, flush-impact metal and wooden doors			combination b DIN left	044697
			combination b DIN right	044680
			combination c	044787
			combination a	044676

2) Use of a longer spindle can be necessary depending on the installation situation. This is no problem for any of the GEZE floor spring variants of the TS 500 NV/TS 550/TS 550 NV series, where the standard spindle is simply unscrewed and the longer spindle in place.

3) Only permissible for fire and smoke protection doors when this use is included in the approval certificate of the door.

Description	DIN di- rection	Spindle extension	Version	ID no.
GEZE pivot hinge for single-action doors * Model EK, for welding to steel doors			combination a	006719
			combination b DIN left	000889
			combination b DIN right	000890
			combination c	000891
GEZE pivot hinge for single-action doors * Model FK, for welding to steel doors			combination a	006724
			combination b DIN left	000895
			combination b DIN right	000896
			combination c	000897
GEZE smoke switch control unit RSZ 6 Smoke switch and power supply for all GEZE hold-open mechanisms			silver	099851
			dark bronze	099857
			white RAL 9016	099858
			simulated stainless steel	099856
			acc. to RAL	099859
Set smoke switch control unit RSZ 6 ECwire Smoke switch control unit ECwire for simple wiring using 2-wire technology incl. 2 ceiling-mounted smoke detectors type GC 162 (white)			silver-coloured	154976
			white RAL 9016	154979
			simulated stainless steel ²⁾	154991
			acc. to RAL ²⁾	154980
GEZE smoke detector GC 152 Complete with base, 24 V DC, 20 mA, tested in accordance with EN54-7, with general approval for use with all GEZE hold-open systems, integra- ted line monitoring, conform with DIN EN 14637			white	139850
GEZE thermal detector GC 153 Complete with base, 24 V DC, 20 mA, tested in accordance with EN54-5, with general approval for use with all GEZE hold-open systems, integrated line control, conform with DIN EN 14637			white	139881
GEZE manual trigger switch AS 500 for the manual release of electrically controlled hold-open mechanisms including terminating resistance for line monitoring			alpine white	116266
GEZE manual trigger switch AS 500 (with glass pane and 5 inter- changeable labels) for the manual release of electrically controlled hold-open mechanisms			alpine white	120880
Surface-mounted box, single suitable for the AS 500 switch range				120503
Replacement glass cover for GEZE manual trigger switch 120880 and 120881				010994

* See page 55 onwards for more information regarding possible combinations

GEZE TS 550 IS

GEZE TS 550 IS

Floor spring system for 2-leaf fire protection doors up to 2800 mm hinge clearance with integrated closing sequence control without hold-open mechanism

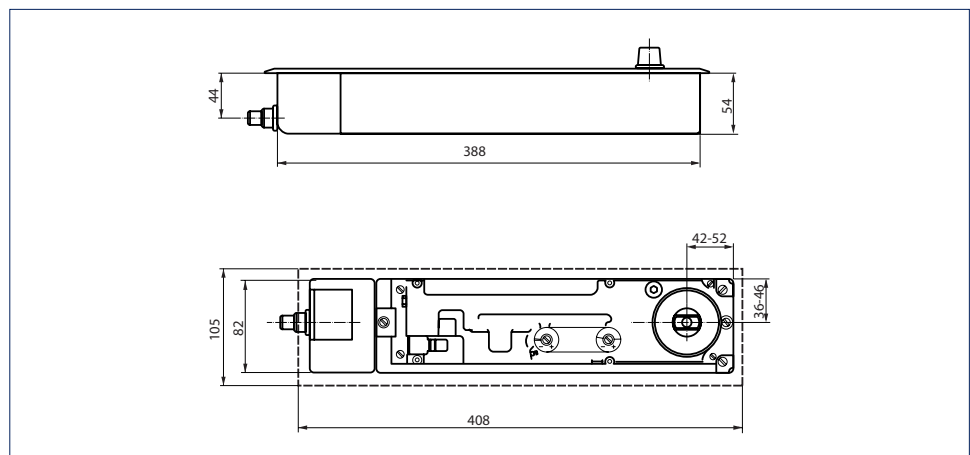
The floor spring TS 550 IS with integrated closing sequence control according to EN 1158 is used on 2-leaf doors. A safety valve helps prevent intentional overloading. TS 550 IS is also suitable for leaves with unequal widths. The closing speed and hydraulic latching action can be adjusted. The closing force, size 3-6 according to EN 1154, can be adjusted steplessly from above.

Standard package / scope of delivery:

- 1) TS 550 IS passive leaf complete with flat conical pivot and cement box (cover plate not included)
- 2) TS 550 IS active leaf complete with flat conical spindle, Bowden cable and cement box (cover plate not included)



GEZE TS 550 IS



Area of application

- For right and left hung doors
- For leaf widths up to 1400 mm per door leaf
- Also suitable for leaves of different widths
- For leaf weights up to 250 kg
- For fire and smoke protection doors with provision for floor springs

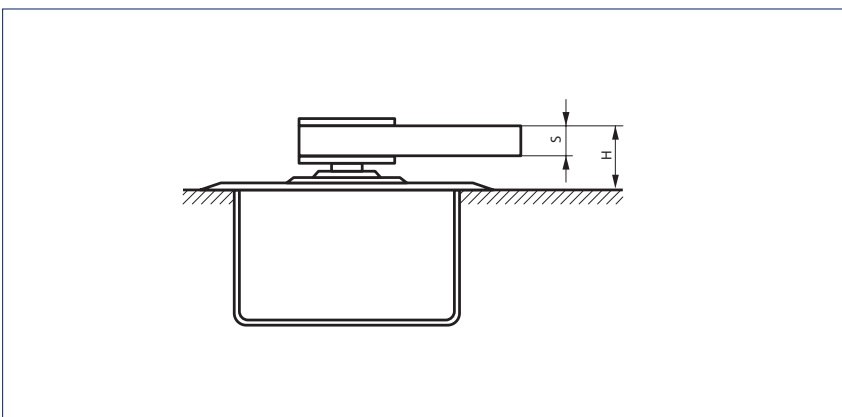
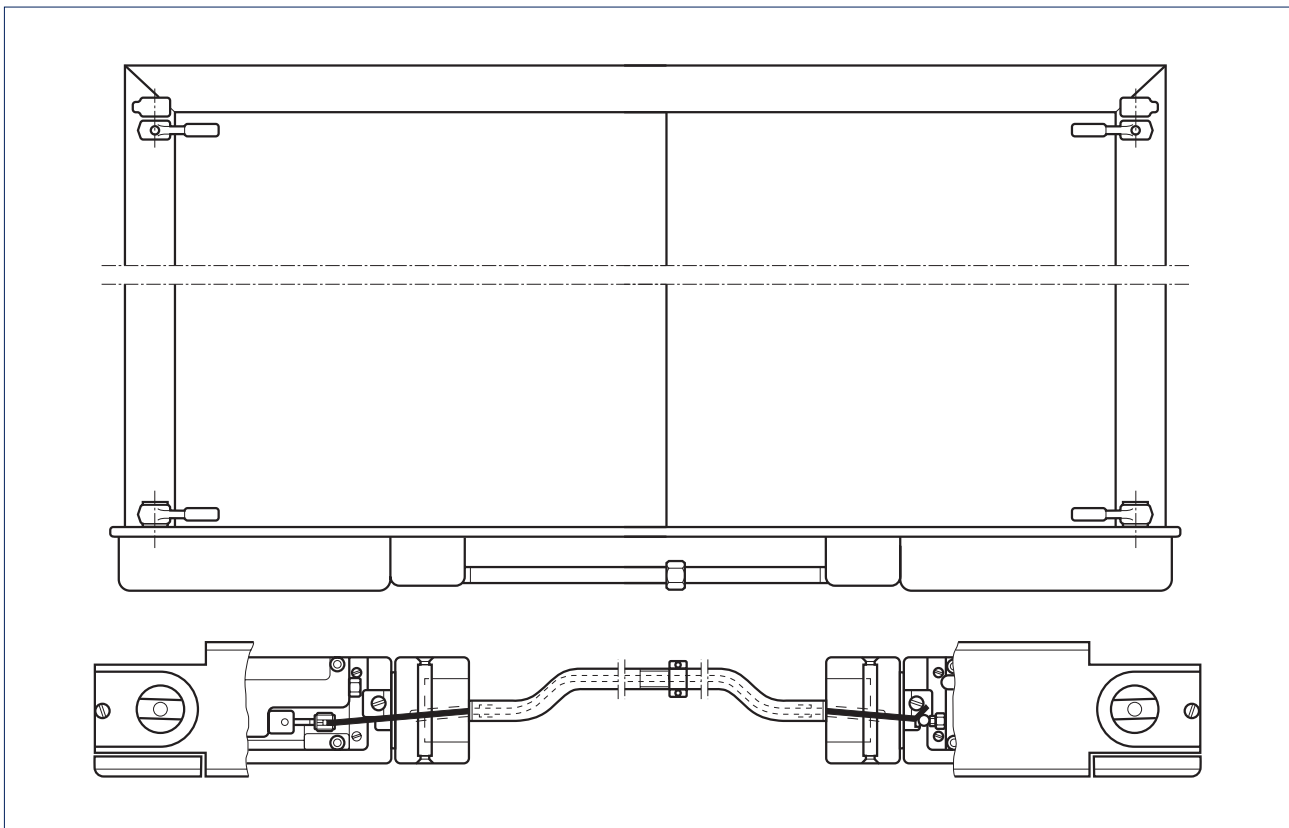
Technical data for floor springs

Product features	GEZE TS 550 IS
Use on single-/double-action door	Single-action door
Closing force in accordance with EN 1154	3 – 6
Recommended leaf width up to	1400 mm
Leaf weight (max.)	250 kg
Door buffer stop DIN direction	left / right
Product tested in accordance with	Door closer tested in accordance with EN 1154, Door closing sequence selector tested in accordance with EN 1158
Length	388 mm
Overall depth	82 mm
Height	54 mm
Length adjustment range for cement box	10 mm
Width adjustment range for cement box	10 mm
Height adjustment range for cement box	6 mm
Functions	
Adjustable closing force	Yes, stepless
Adjustable closing speed	●
Adjustable latching action	Yes, via valve
Integrated back check	Yes, mechanical, fixed
Position of closing force adjustment	Top
Safety valve against wilful damage	●
Closing effect from	180°
Hold-open mechanism	No

● = YES

Standard installation

Example of door rail, pivot hinge and floor spring installation on a single-action door:



Door rail model DM, DB, EK, FK for single-action doors

H = Installation height dimension

With extended spindles, the installation height dimension „H“ is increased by the respective pivot extension

Model	S	H
DM	16 mm	27 mm
DB, EK, FK	10 mm	24 mm

GEZE TS 550 IS - Order information

Description	DIN direction	Leaf	Spindle extension	Version	ID no.
GEZE TS 550 IS closer Size EN 3-6, with integrated closing sequence control, closing effect from 180°, without hold-open device, door leaf weight up to 250 kg (without cover plate and accessories)	left	active leaf		silver	059522
	right	active leaf		silver	059549
	left	active leaf		silver	059521
	right	active leaf		silver	059557
GEZE floor spring cover plate for TS 550 IS / TS 550 E-IS				stainless steel	059756
Protective tube for actuating cable IS floor springs including wire guide and installation accessories					059556
Accessories					
GEZE cover caps for door rails (flush-impact doors) suitable for model DB, DM, EK, FK	left			simulated stainless steel	137586
	left			dark bronze	052178
	left			EV1	006794
	left			aluminium, matt	006792
	right			simulated stainless steel	137577
	right			dark bronze	052177
	right			EV1	006798
	right			aluminium, matt	006796
GEZE cover caps for door rails (rebated doors) suitable for model DB, DM, EK, FK	left			simulated stainless steel	137618
	left			dark bronze	045199
	left			EV1	045196
	left			aluminium, matt	045184
	right			simulated stainless steel	137617
	right			dark bronze	045183
	right			EV1	045155
	right			aluminium, matt	045011
GEZE caps for pivot hinges (flush-impact doors) suitable for model DB, EK, FK	left / right			dark bronze	001091
	left / right			EV1	001090
	left / right			aluminium, matt	001089
	left / right			simulated stainless steel	137640
GEZE caps for pivot hinges (rebated doors) suitable for model DB, EK, FK	left			dark bronze	038272
	left			EV1	037918
	left			aluminium, matt	037917
	right			dark bronze	038308
	right			EV1	038302
	right			aluminium, matt	038284
	left			simulated stainless steel	137641
	right			simulated stainless steel	137642

Description	DIN direction	Leaf	Spindle extension	Version	ID no.
GEZE spindle cap for floor spring ^{2) 3)} with flat cone, including clamping-extension bolt	left / right		10 mm		010338
	left / right		13 mm		052170
	left / right		15 mm		010347
	left / right		20 mm		010372
	left / right		25 mm		010373
	left / right		28 mm		050931
	left / right		30 mm		010374
	left / right		35 mm		010377
	left / right		40 mm		010378
	left / right		45 mm		010381
	left / right		5 mm		010337
	left / right		50 mm		010385
	left / right		8 mm		050930
	left / right		0 mm		050644
GEZE spindle cap for floor spring ^{2) 3)} with square for single-action doors, including clamping-extension bolt	left		10 mm		053958
	left		15 mm		053960
	left		20 mm		053962
	left		25 mm		053964
	left		5 mm		053956
	left		0 mm		053954
	right		10 mm		053959
	right		15 mm		053961
	right		20 mm		053963
	right		25 mm		053965
	right		5 mm		053957
	right		0 mm		053955
GEZE CB flex for use on all 2-leaf rebated doors. Stepless, concealed length adjustment up to 210 mm leaf projection, hinged mechanism not visible, profile can be shortened if required, with attachment material				silver	153602
				acc. to RAL ³⁾	153728
GEZE door rail for single-action doors Model DB, for rebated, flush-impact metal and wooden doors				galvanised	044579
				galvanised	037581
GEZE door rail for single-action doors Model DM, for metal doors, on-site adaptation to profile system, without surface treatment				galvanised	037630
				galvanised	037631
GEZE door rail for single-action doors Model DM, for metal doors, adapted to profile system with flat cone or square				galvanised	001068
				phosphated	008269
GEZE door rail for single-action doors Model EK, for welding to steel doors				phosphated	006696
				phosphated	008270
				phosphated	006699
GEZE sealing compound for floor springs For use in wet rooms and for installation on the outside of buildings, two-component system, sufficient for 1 cement box					058879

2) Use of a longer spindle can be necessary depending on the installation situation. This is no problem for any of the GEZE floor spring variants of the TS 500 NV/TS 550/TS 550 NV series, where the standard spindle is simply unscrewed and the longer spindle in place.

3) Only permissible for fire and smoke protection doors when this use is included in the approval certificate of the door.

Description	DIN direction	Leaf	Spindle extension	Version	ID no.
GEZE pivot hinge for single-action doors * Model DB, for rebated, flush-impact metal and wooden doors				combination b DIN left	044697
				combination b DIN right	044680
				combination c	044787
GEZE pivot hinge for single-action doors * Model EK, for welding to steel doors				combination a	044676
				combination c	006719
				combination b DIN left	000889
GEZE pivot hinge for single-action doors * Model FK, for welding to steel doors				combination b DIN right	000890
				combination c	000891
				combination a	006724
GEZE pivot hinge for single-action doors * Model FK, for welding to steel doors				combination b DIN left	000895
				combination b DIN right	000896
				combination c	000897

* See page 55 onwards for more information regarding possible combinations

GEZE TS 550 E-IS

GEZE TS 550 E-IS

Floor spring system for 2-leaf fire protection doors up to 2800 mm hinge clearance with integrated closing sequence control and electric hold-open device

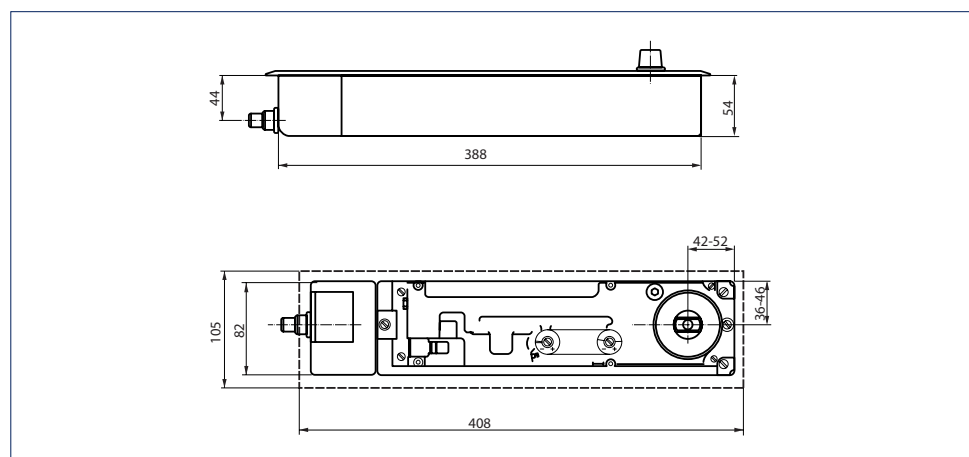
The electromechanical hold-open device of the floor spring TS 550 E-IS according to EN 1155 with integrated closing sequence control according to EN 1158 allows 2-leaf doors to be held open independently of one another at any angle between 80° and 165°. This means that the doors can be held open for as long as required. This door closer can also be used with fire and smoke protection doors. The closing speed and hydraulic latching action can be adjusted. The closing force, size 3-6 according to EN 1154, can be adjusted variably from above. A safety valve helps prevent intentional overloading. The closer is authorised for use with renowned smoke detection systems, and tested and certified by DIBt (the German Centre of Competence for Construction).

Standard package / scope of delivery

- 1) TS 550 E-IS passive leaf complete with flat conical spindle, cement box, plug-in connection cable and cable with connector (cover plate not included).
- 2) TS 550 E-IS active leaf complete with flat conical spindle, cement box, plug-in connection cable and cable with connector incl. Bowden cable (cover plate not included).



GEZE TS 550 E-IS



Area of application

- For right and left hung doors
- For leaf widths up to 1400 mm per door leaf
- Also suitable for leaves of different widths
- For leaf weights up to 250 kg
- For fire and smoke protection doors with provision for floor springs

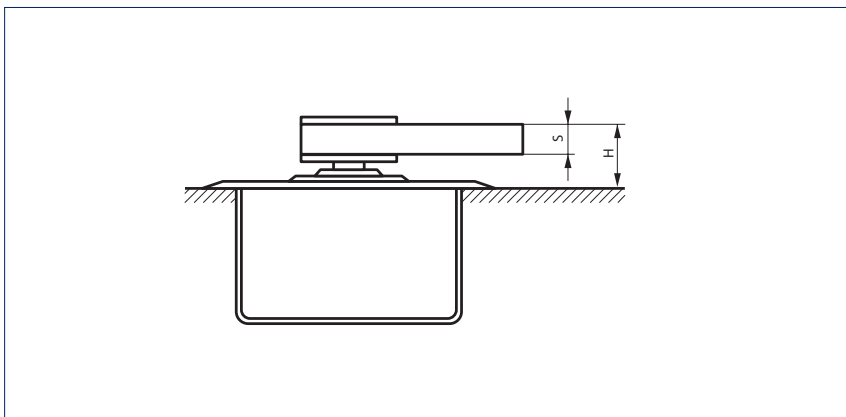
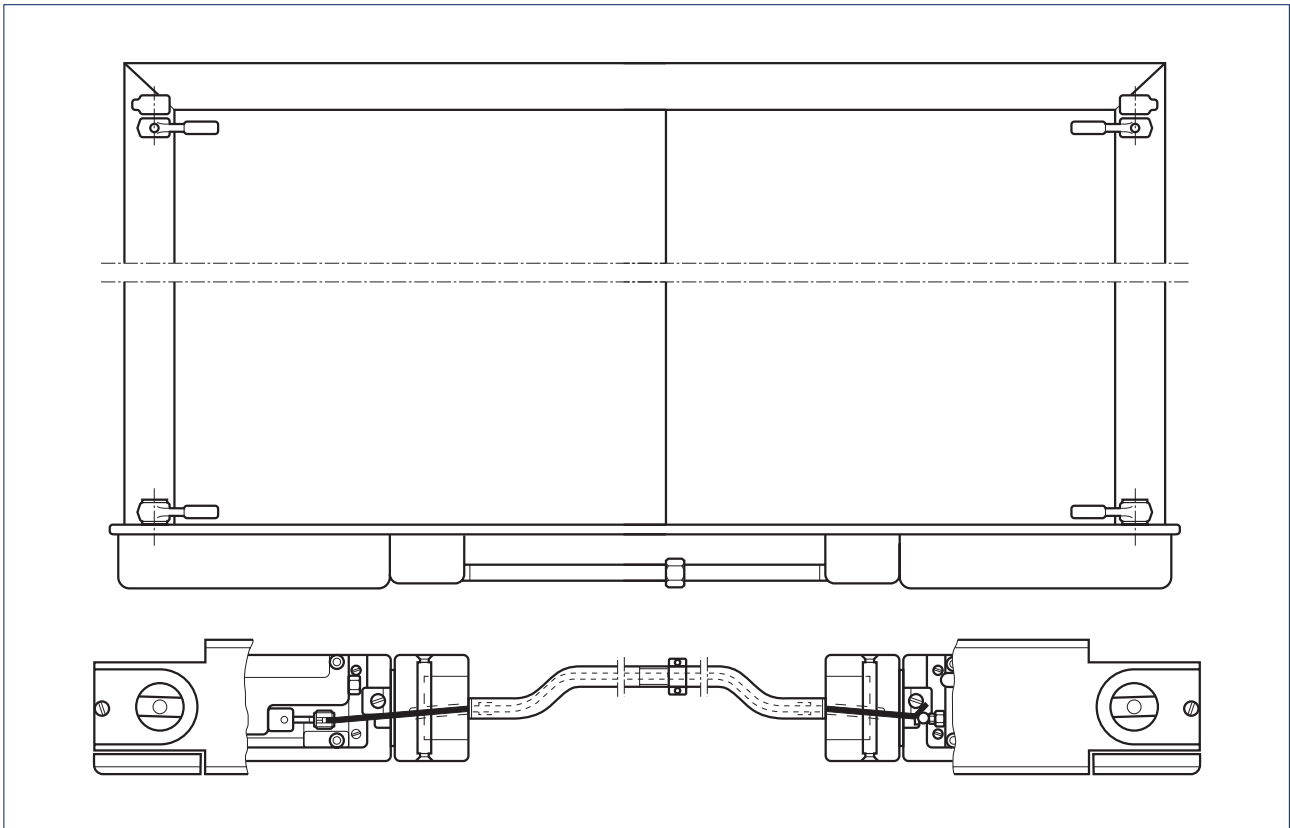
Technical data for floor springs

Product features	GEZE TS 550 E-IS
Use on single-/double-action door	Single-action door
Closing force in accordance with EN 1154	3 – 6
Recommended leaf width up to	1400 mm
Leaf weight (max.)	250 kg
Door buffer stop DIN direction	left
Product tested in accordance with	Door closer tested in accordance with EN 1154, hold-open mechanism tested in accordance with EN 1155, door closing sequence selector tested in accordance with EN 1158
Length	388 mm
Overall depth	82 mm
Height	54 mm
Length adjustment range for cement box	10 mm
Width adjustment range for cement box	10 mm
Height adjustment range for cement box	6 mm
Functions	
Adjustable closing force	Yes, stepless
Adjustable closing speed	•
Adjustable latching action	Yes, via valve
Integrated back check	Yes, mechanical, fixed
Position of closing force adjustment	Top
Safety valve against wilful damage	•
Closing effect from	180°
Hold-open mechanism	Electrical
Hold-open mechanism can be switched on and off	•
Hold-open mechanism with override possibility	•
Hold-open range	80° – 165°

• = YES

Standard installation

Example of door rail, pivot hinge and floor spring installation on a single-action door:



Door rail model DM, DB, EK, FK for single-action doors
 H = Installation height dimension

With extended spindles, the installation height dimension „H“ is increased by the respective pivot extension

Model	S	H
DM	16 mm	27 mm
DB, EK, FK	10 mm	24 mm

GEZE TS 550 E-IS - Order information

Description	DIN direction	Leaf	Spindle extension	Version	ID no.
GEZE TS 550 E-IS closer Size EN 3-6, with integrated closing sequence control, with electric hold-open device 80°-175°, 24V DC, closing effect from 180°, door leaf weight up to 250 kg (without cover plate and accessories)	left			silver	068625
	right			silver	068626
	left			silver	068579
	right			silver	068580
GEZE floor spring cover plate for TS 550 IS / TS 550 E-IS				stainless steel	059756
Protective tube for actuating cable IS floor springs including wire guide and installation accessories					059556
Accessories					
GEZE cover caps for door rails (flush-impact doors) suitable for model DB, DM, EK, FK	left			simulated stainless steel	137586
	left			dark bronze	052178
	left			EV1	006794
	left			aluminium, matt	006792
	right			simulated stainless steel	137577
	right			dark bronze	052177
	right			EV1	006798
	right			aluminium, matt	006796
	left			simulated stainless steel	137618
	left			dark bronze	045199
GEZE cover caps for door rails (rebated doors) suitable for model DB, DM, EK, FK	left			EV1	045196
	left			aluminium, matt	045184
	right			simulated stainless steel	137617
	right			dark bronze	045183
	right			EV1	045155
	right			aluminium, matt	045011
	left / right			dark bronze	001091
	left / right			EV1	001090
GEZE caps for pivot hinges (flush-impact doors) suitable for model DB, EK, FK	left / right			aluminium, matt	001089
	left / right			simulated stainless steel	137640
	left			dark bronze	038272
	left			EV1	037918
GEZE caps for pivot hinges (rebated doors) suitable for model DB, EK, FK	left			aluminium, matt	037917
	right			dark bronze	038308
	right			EV1	038302
	right			aluminium, matt	038284
	left			simulated stainless steel	137641
	right			simulated stainless steel	137642

GEZE TS 550 E-IS

Description	DIN direction	Leaf	Spindle extension	Version	ID no.
GEZE spindle cap for floor spring ^{2) 3)} with flat cone, including clamping-extension bolt	left / right		10 mm		010338
	left / right		13 mm		052170
	left / right		15 mm		010347
	left / right		20 mm		010372
	left / right		25 mm		010373
	left / right		28 mm		050931
	left / right		30 mm		010374
	left / right		35 mm		010377
	left / right		40 mm		010378
	left / right		45 mm		010381
	left / right		5 mm		010337
	left / right		50 mm		010385
	left / right		8 mm		050930
	left / right		0 mm		050644
	GEZE spindle cap for floor spring ^{2) 3)} with square for single-action doors, including clamping-extension bolt	left		10 mm	
left			15 mm		053960
left			20 mm		053962
left			25 mm		053964
left			5 mm		053956
left			0 mm		053954
right			10 mm		053959
right			15 mm		053961
right			20 mm		053963
right			25 mm		053965
right		5 mm		053957	
right		0 mm		053955	
Protective hose for E floor springs 3 m, for straightforward cable routing					063558
GEZE CB flex for use on all 2-leaf rebated doors. Stepless, concealed length adjustment up to 210 mm leaf projection, hinged mechanism not visible, profile can be shortened if required, with attachment material				silver	153602
GEZE door rail for single-action doors Model DB, for rebated, flush-impact metal and wooden doors				flat cone	044579
				square	037581
GEZE door rail for single-action doors Model DM, for metal doors, on-site adaptation to profile system, without surface treatment				flat cone	037630
				square	037631
GEZE door rail for single-action doors Model DM, for metal doors, adapted to profile system with flat cone or square ⁷⁾				galvanised	001068
				flat cone	008269
GEZE door rail for single-action doors Model EK, for welding to steel doors				square	006696
				flat cone	008270
				square	006699
GEZE sealing compound for floor springs For use in wet rooms and for installation on the outside of buildings, two-component system, sufficient for 1 cement box					058879

2) Use of a longer spindle can be necessary depending on the installation situation. This is no problem for any of the GEZE floor spring variants of the TS 500 NV/TS 550/TS 550 NV series, where the standard spindle is simply unscrewed and the longer spindle in place.

3) Only permissible for fire and smoke protection doors when this use is included in the approval certificate of the door.

Description	DIN direction	Leaf	Spindle extension	Version	ID no.
GEZE pivot hinge for single-action doors Model DB, for rebated, flush-impact metal and wooden doors ⁴⁾				combination b DIN left	044697
				combination b DIN right	044680
				combination c	044787
				combination a	044676
GEZE pivot hinge for single-action doors * Model EK, for welding to steel doors				combination c	006719
				combination b DIN left	000889
				combination b DIN right	000890
				combination c	000891
GEZE pivot hinge for single-action doors * Model FK, for welding to steel doors				combination a	006724
				combination b DIN left	000895
				combination b DIN right	000896
				combination c	000897
GEZE smoke switch control unit RSZ 6 Smoke switch and power supply for all GEZE hold-open mechanisms				silver	099851
				dark bronze	099857
				white RAL 9016	099858
				simulated stainless steel	099856
				acc. to RAL	099859
Set smoke switch control unit RSZ 6 ECwire Smoke switch control unit ECwire for simple wiring using 2-wire technology incl. 2 ceiling-mounted smoke detectors type GC 162 (white)				silver-coloured	154976
				white RAL 9016	154979
				simulated stainless steel ²⁾	154991
				acc. to RAL 2)	154980
GEZE smoke detector GC 152 Complete with base, 24 V DC, 20 mA, tested in accordance with EN54-7, with general approval for use with all GEZE hold-open systems, integrated line monitoring, in accordance with DIN EN 14637				white	139850
GEZE thermal detector GC 153 Complete with base, 24 V DC, 20 mA, tested to EN54-5, with general approval for use with all GEZE hold-open systems, integrated line control, conform with DIN EN 14637				white	139881
GEZE manual trigger switch AS 500 for the manual release of electrically controlled hold-open mechanisms including terminating resistance for line monitoring				alpine white/ red	116266
GEZE manual trigger switch AS 500 (with glass pane and 5 interchangeable labels) for the manual release of electrically controlled hold-open mechanisms				alpine white/ red	120880
Surface-mounted box, single suitable for the AS 500 switch range					120503
Replacement glass cover for GEZE manual trigger switch 120880 and 120881					010994

* See page 55 onwards for more information regarding possible combinations

ELECTRICAL INSTALLATION

Electrical installation

The floor springs with electrical hold-open device must be connected to the power supply to hold the door open.

Connected loads

- Operating voltage 24 V DC
- Voltage tolerances +10% -15%
- Residual ripple max. 20%
- Connected load 110 mA (GEZE TS 550 NV E / TS 550 E-G)
- Connected load 220 mA (GEZE TS 550 E-IS / TS 550 E-IS-G)

Function

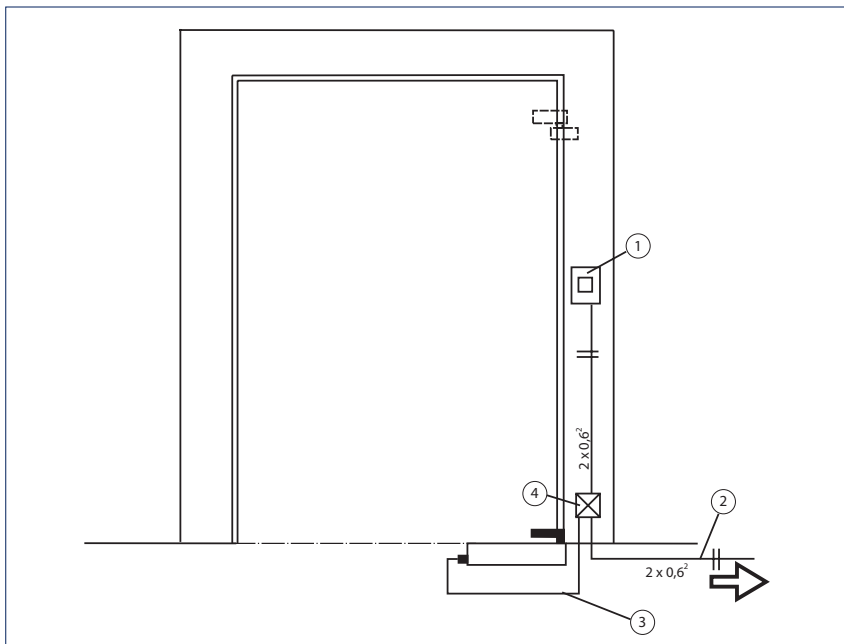
- Voltage is applied to the closer = door is held open
- Voltage is not applied or is switched off = door is not held open, the door closes automatically

The door can always be closed manually, independently of whether voltage is applied or not.

After power failure or electrical release, the closer must be „primed“ again – for this the door must make at least a damping closing movement after the current has been switched back on – then the closer can be held in place again. This effect only occurs after a power failure or electrical release, not when the door has been closed manually. In this case the closer must be activated like the normal TS 550 with mechanical hold-open.

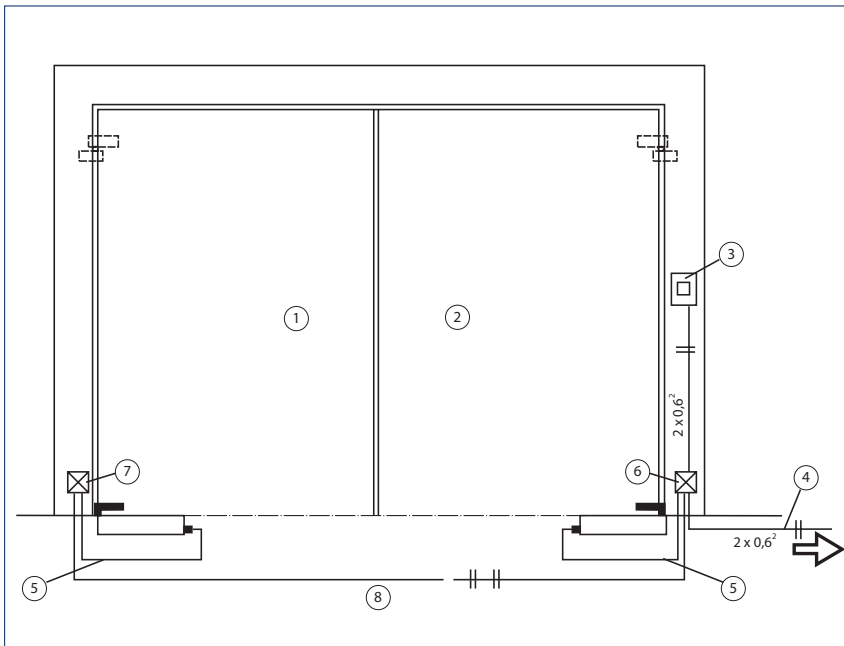
Line-feed

Line-feed should ideally be to a distributor box near the door closer. The cable is supplied by GEZE and should be routed in a flexible protective conduit. This is available as an accessory.

Electrical installation TS 550 E / TS 550 E-G:

- 1 = Release button
- 2 = To the smoke protection switch / power supply 24 V DC
- 3 = Power supply cable 3 m
- 4 = Distributor box with connection PCB

Electrical installation TS 550 E-IS / TS 550 E-IS-G



- 1 = Active leaf
- 2 = Passive leaf
- 3 = Release button
- 4 = To the smoke protection switch / power supply 24 V DC
- 5 = Power supply cable 3 m
- 6 = Distributor box with connection PCB
- 7 = Terminal box
- 8 = 4 x 0.62 or 4 x 0.82 on site

GEZE TS 550 F-G / TS 550 E-G / TS 550 IS-G / TS 550 E-IS-G

Floor spring with lever and guide rail for doors with hinges up to 1400 mm leaf width

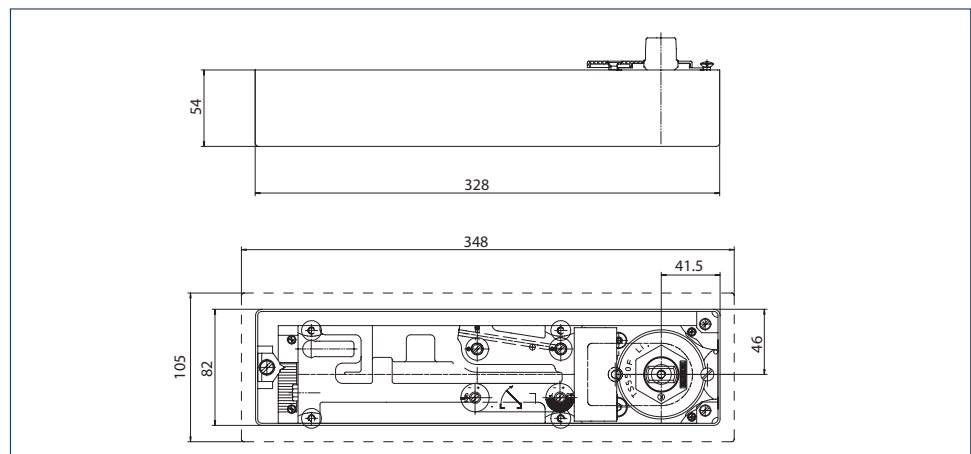
These floor spring versions with lever and guide rail can be used for 1 or 2-leaf doors with carrying hinges. The non-protruding spindle in conjunction with an extremely flat lever enables an opening angle of 180° with a floor clearance of 9 mm. The closing speed and hydraulic latching action can be adjusted. The closing force, size 3-6 according to EN 1154, can be adjusted variably from above. A safety valve helps prevent intentional overloading.

The electric hold-open device in accordance with DIN EN 1155 permits the TS 550 E-IS-G and the TS 550 E-IS-G to be held exactly in any position between 80° and 150°.

The TS 550 IS-G and the TS 550 E-IS-G have an integrated closing sequence control in accordance with EN 1158.



GEZE TS 550 F-G



Area of application

- For right and left hung doors
- For leaf widths up to 1400 mm
- For fire and smoke protection doors with provision for floor springs

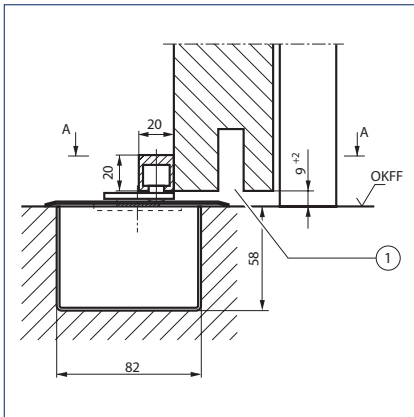
GEZE TS 550 F-G / TS 550 E-G / TS 550 IS-G / TS 550 E-IS-G

Technical data for floor springs

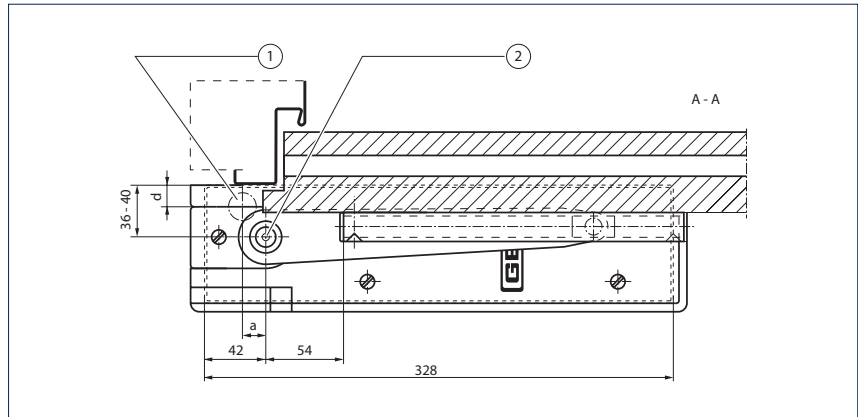
Product features				
	GEZE TS 550 F-G	GEZE TS 550 E-G	GEZE TS 550 IS-G	GEZE TS 550 E-IS-G
Use on single-/double-action door	Single-action door			
Closing force in accordance with EN 1154	3 – 6			
Recommended leaf width up to	1400 mm			
Door buffer stop DIN direction	left / right			
Product tested in accordance with	Door closer tested in accordance with EN 1154	Door closer tested in accordance with EN 1154, hold-open mechanism tested in accordance with EN 1155	Door closer tested in accordance with EN 1154, door closing sequence selector tested in accordance with EN 1158	Door closer tested in accordance with EN 1154, hold-open mechanism tested in accordance with EN 1155, door closing sequence selector tested in accordance with EN 1158
Length	328 mm		388 mm	
Overall depth	82 mm			
Height	58 mm			
Length adjustment range for cement box	10 mm			
Width adjustment range for cement box	10 mm			
Height adjustment range for cement box	6 mm			
Functions				
Adjustable closing force	Yes, stepless			
Adjustable closing speed	•	•	•	•
Adjustable latching action	Yes, via valve			
Integrated back check	No			
Position of closing force adjustment	Top			
Safety valve against wilful damage	•	•	•	•
Closing effect from	180 °			
Hold-open mechanism	No	Electrical	No	Electrical
Hold-open mechanism can be switched on and off	-	•	-	•
Hold-open mechanism with override possibility	-	•	-	•
Hold-open range	-	80 ° – 150 °	-	80 ° – 150

• = YES

Installation example of floor spring with lever and guide rail fitted from the top on rebated wooden door:

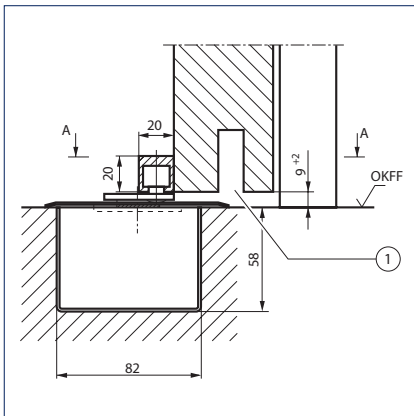


- 1 = Groove for door seal
- OKFF = Finished floor level

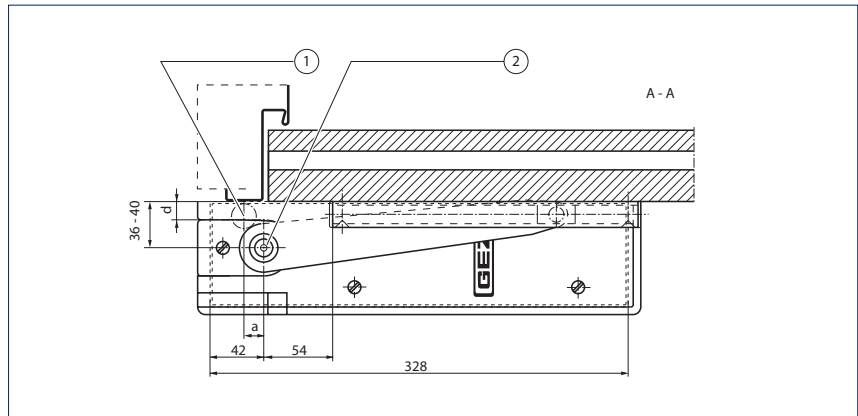


- 1 = Centre door hinge
- 2 = Floor spring lever pivot point
- * = When the following installation dimensions are observed, the closing effect begins from a door opening angle of 180°.
- d = Pivot point distance 11 - 25 mm
- a = Pivot point distance of the closer 0 - 16 mm

Installation example of floor spring with lever and guide rail fitted from the top on flush-impact wooden door:



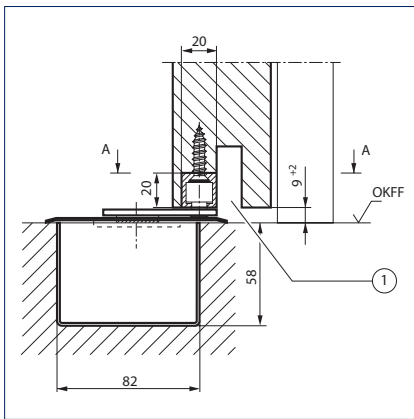
- 1 = Groove for door seal
- OKFF = Finished floor level



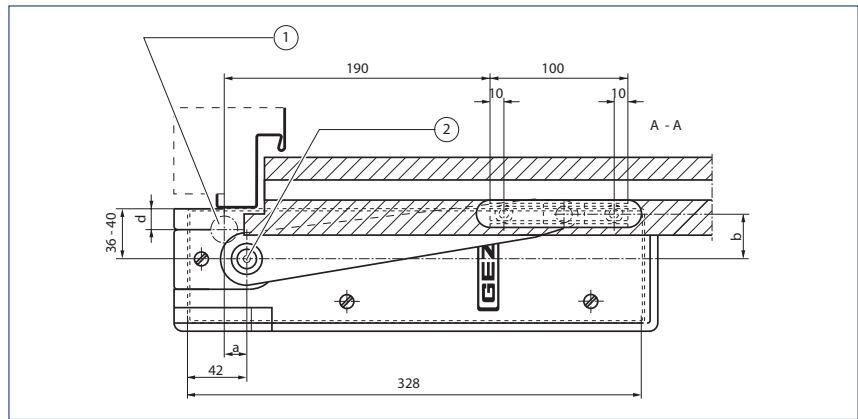
- 1 = Centre door hinge
- 2 = Floor spring lever pivot point
- * = When the following installation dimensions are observed, the closing effect begins from a door opening angle of 180° for the TS 550 F-G.
- d = Pivot point distance 11 - 25 mm
- a = Pivot point distance of the closer 0 - 16 mm

GEZE TS 550 F-G / TS 550 E-G / TS 550 IS-G / TS 550 E-IS-G

Installation example of floor spring with lever and guide rail concealed on rebated wooden door:

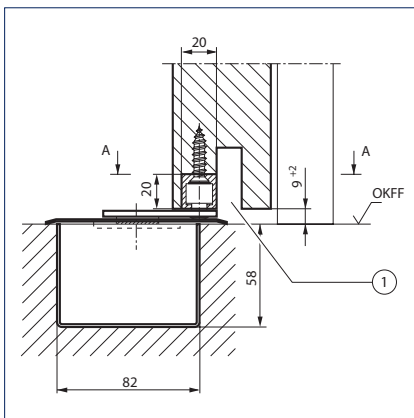


- 1 = Groove for door seal
- OKFF = Finished floor level

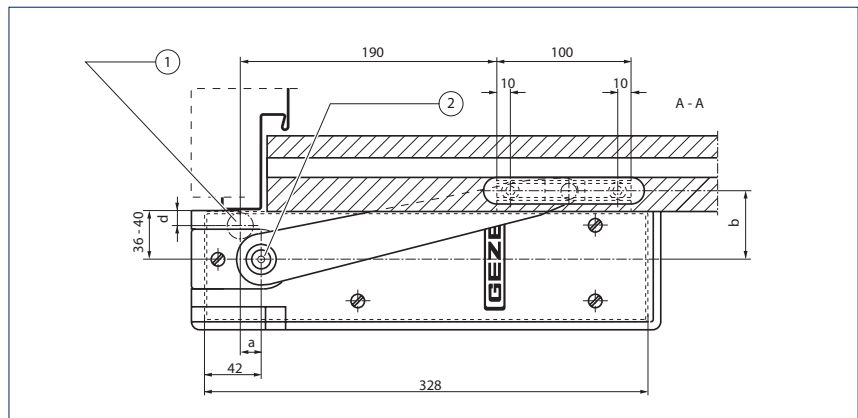


- 1 = Centre door hinge
- 2 = Floor spring lever pivot point
- * = When the following installation dimensions are observed, the closing effect begins from a door opening angle of 180° for the TS 550 F-G.
- d = Pivot point distance 11 - 25 mm
- a = Pivot point distance of the closer 0 - 16 mm
- b = Pivot point distance of the closer 35 - 48 mm

Installation example of floor spring with lever and guide rail concealed on flush-impact wooden door:



- 1 = Groove for door seal
- OKFF = Finished floor level



- 1 = Centre door hinge
- 2 = Floor spring lever pivot point
- * = When the following installation dimensions are observed, the closing effect begins from a door opening angle of 180° for the TS 550 F-G.
- d = Pivot point distance 11 - 25 mm
- a = Pivot point distance of the closer 0 - 16 mm
- b = Pivot point distance of the closer 50 - 55 mm

GEZE TS 550 F-G - Order information

Description	DIN direction	Leaf	Spindle extension	Version	ID no.
GEZE TS 550 F-G closer Size EN 3-6, closing effect from 180°, without hold-open mechanism, for application with guide rail, special cement box 58 mm design size (without cover plate and accessories)	left			silver	075037
	right			silver	075044
GEZE floor spring cover plate for TS 550 F-G / TS 550 E-G				stainless steel	029429
GEZE TS 550 E-G closer Size EN 3-6, with electric hold-open device 80°-150°, 24 V DC, closing effect from 180°, for application with guide rail, special cement box 58 mm design size (without cover plate and accessories)	left			silver	075053
	right			silver	075054
GEZE floor spring cover plate for TS 550 IS-G / TS 550 E-IS-G				Stainless steel	029432
Protective tube for actuating cable IS floor springs including wire guide and installation accessories					059556
GEZE TS 550 IS-G closer Size EN 3-6, with integrated closing sequence control, closing effect from 180°, without hold-open device, for application with guide rail, special cement box 58 mm design size (without cover plate and accessories)	left			silver	075069
	right			silver	075070
	left			silver	075098
	right			silver	075099
GEZE TS 550 E-IS-G closer Size EN 3-6, with integrated closing sequence control, with electric hold-open device 80°-150°, 24 V DC, closing effect from 180°, for application with guide rail, special cement box design size 58 mm (without cover plate and accessories)	left			silver	075108
	right			silver	075109
	left			silver	075110
	right			silver	075111
Accessories					
Guide rail for floor springs, G variants fitting from top, with lever			25 mm	silver	072850
			0 mm	silver	072848
			25 mm	acc. to RAL	080623
			0 mm	acc. to RAL	080619
Guide rail for floor springs, G variants integrated, with lever			0 mm	silver	072757
			25 mm	silver	072847
			0 mm	acc. to RAL	080620
			25 mm	acc. to RAL	080622
GEZE sealing compound for floor springs For use in wet rooms and for installation on the outside of buildings, two-component system, sufficient for 1 cement box					058879
Protective hose for E floor springs 3 m, for straightforward cable routing					063558
GEZE smoke switch control unit RSZ 6 Smoke switch and power supply for all GEZE hold-open mechanisms				silver	099851
				dark bronze	099857
				white RAL 9016	099858
				simulated stainless steel	099856
				acc. to RAL	099859
Set smoke switch control unit RSZ 6 ECwire Smoke switch control unit ECwire for simple wiring using 2-wire technology incl. 2 ceiling-mounted smoke detectors type GC 162 (white)				silver-coloured	154976
				white RAL 9016	154979
				simulated stainless steel ²⁾	154991
				acc. to RAL 2)	154980

GEZE TS 550 F-G / TS 550 E-G / TS 550 IS-G / TS 550 E-IS-G

Description	DIN direction	Leaf	Spindle extension	Version	ID no.
GEZE smoke detector GC 152 Complete with base, 24 V DC, 20 mA, tested in accordance with EN54-7, with general approval for use with all GEZE hold-open systems, integrated line monitoring, conform with DIN EN 14637				white	139850
GEZE thermal detector GC 153 Complete with base, 24 V DC, 20 mA, tested in accordance with EN54-5, with general approval for use with all GEZE hold-open systems, integrated line control, conform with DIN EN 14637				white	139881
GEZE manual trigger switch AS 500 for the manual release of electrically controlled hold-open mechanisms including terminating resistance for line monitoring				alpine white	116266
GEZE manual trigger switch AS 500 (with glass pane and 5 interchangeable labels) for the manual release of electrically controlled hold-open mechanisms				alpine white	120880
Surface-mounted box, single suitable for the AS 500 switch range					120503
Replacement glass cover for GEZE manual trigger switch 120880 and 120881					010994
GEZE CB flex for use on all 2-leaf rebated doors. Stepless, concealed length adjustment up to 210 mm leaf projection, hinged mechanism not visible, profile can be shortened if required, with attachment material				silver	153602
				acc. to RAL	153728



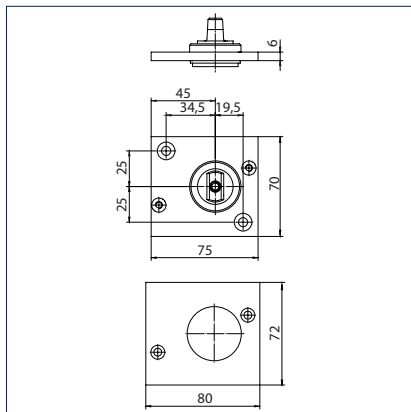
GEZE TS 550 E-IS-G, HafenCity University Hamburg, Germany (Photo: Stefan Dauth)

ACCESSORIES

GEZE Floor-mounted pivot bearing TS 137 b / TS 32 b and cover plate for floor-mounted pivot bearing with flat conical and square spindle, door weight max. 250 kg, 75 x 70 mm with reinforcement plate



Pivot bearing with flat conical spindle



Pivot bearing with flat conical spindle

Order information

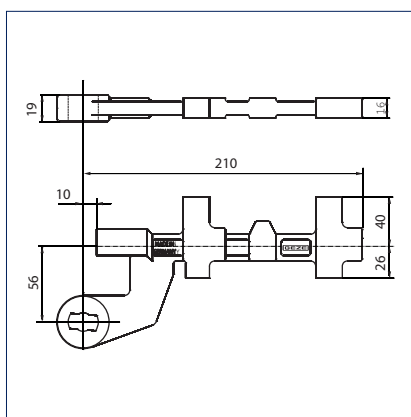
Description	Spindle extension	Version	ID no.
GEZE floor-mounted pivot bearing TS 137 b with flat conical axle, max. door weight 250 kg, 75 x 70 mm with reinforcement plate	0 mm	silver	009788
	5 mm	silver	009790
GEZE floor-mounted pivot bearing TS 32 b with square spindle, door weight max. 250 kg, 75 x 70 mm with reinforcement plate	0 mm	silver	010556
	5 mm	silver	010564
Cover plate GEZE floor-mounted pivot bearing for type TS 137 b and TS 32 b		stainless steel	012846

GEZE Door rail for single-action doors

Model DM, for metal doors



Door rail model DM



Door rail model DM

Order information

Description	Pivot type	Version	ID no.
GEZE door rail for single-action doors Model DM, for metal doors, on-site adaptation to profile system, without surface treatment ¹⁾	Flat cone	galvanised	037630
	Square	galvanised	037631
GEZE door rail for single-action doors Model DM, for metal doors, adapted to profile system with flat cone or square ²⁾		galvanised	001068

¹⁾ Material: Steel, drop-forged

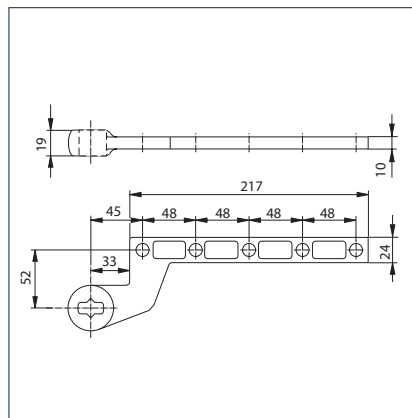
²⁾ The profile system and profile combination used must be specified with the order.

GEZE Door rail and pivot hinge for single-action doors

Model DB, for rebated & flush-impact metal and wooden doors



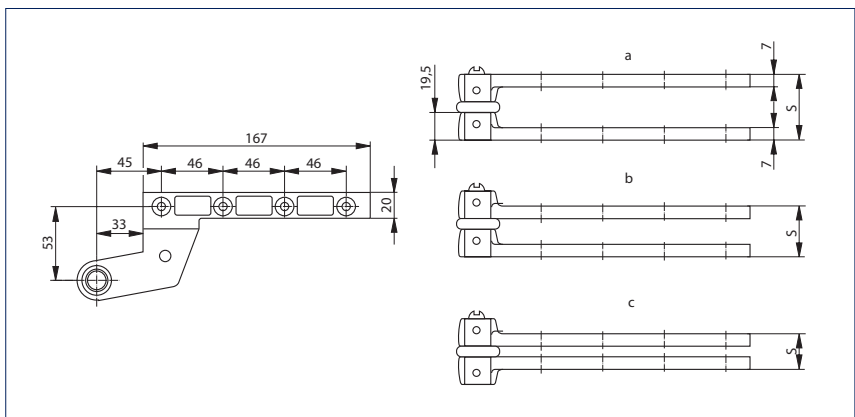
Door rail model DB



Door rail model DB



Pivot hinge model DB



Pivot hinge model DB

Installation dimensions	Combination		
	a	b	c
Dimension=	S	S	S
Pivot pin 41 mm without intermediate ring	41	28,5	16
Pivot pin 45 mm without intermediate ring	45	32,5	20
Pivot pin 49 mm without intermediate ring	49	36,5	24

The standard version has a 45 mm pivot pin.
41 mm and 49 mm pivot pins must be ordered separately.

Order information

Description	Combination	Version	ID no.
GEZE Door rail for single-action doors Model DB, for rebated, flush-impact metal and wooden doors ¹⁾	flat cone	galvanised	044579
	square	galvanised	037581
	combination a	galvanised	044676
	combination b	galvanised	044697
GEZE Pivot hinge for single-action doors Model DB, for rebated, flush-impact metal and wooden doors ¹⁾	DIN left	galvanised	044680
	DIN right	galvanised	044787
	combination c	galvanised	044787
Pivot pin 41 mm			008063
Pivot pin 49 mm			008022

¹⁾ Standard length of pivot pins = 45 mm

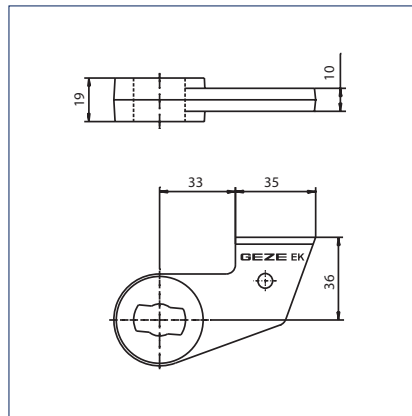
ACCESSORIES

GEZE Door rail and pivot hinge for single-action doors

Model EK, for welding to steel doors



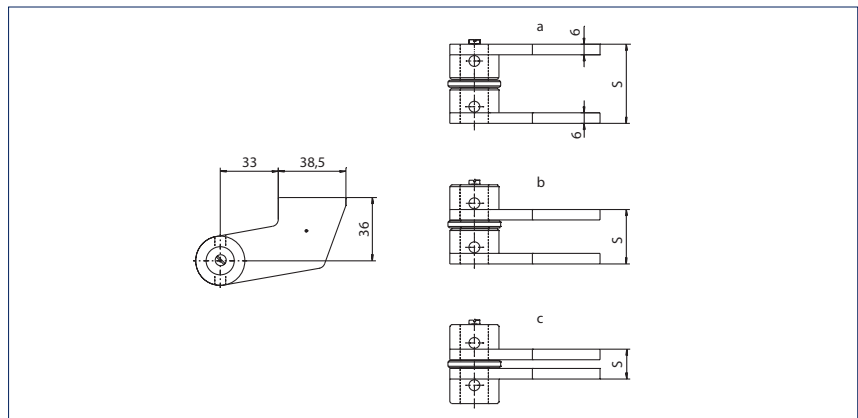
Door rail model EK



Door rail model EK



Pivot hinge model EK



Pivot hinge model EK

Installation dimensions	Combination		
	a	b	c
Dimension=	S	S	S
Pivot pin 41 mm without intermediate ring	41	27	13
Pivot pin 45 mm without intermediate ring	45	31	17
Pivot pin 49 mm without intermediate ring	49	35	21

The standard version has a 45 mm pivot pin.
41 mm and 49 mm pivot pins must be ordered separately.

Order information

Description	Combination	Version	ID no.
GEZE door rail for single-action doors Model EK, for welding to steel doors	flat cone	phosphated	008269
	square	phosphated	006696
GEZE pivot hinge for single-action doors Model EK, for welding to steel doors ¹⁾	combination a	phosphated	006719
	combination b DIN left	phosphated	000889
	combination b DIN right	phosphated	000890
	combination c	phosphated	000891
Pivot pin 41 mm			008063
Pivot pin 49 mm			008022

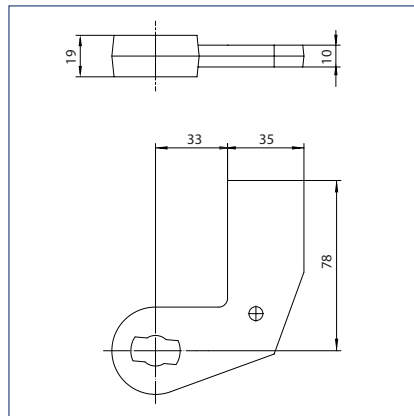
¹⁾ Standard length of pivot pins = 45 mm

GEZE Door rail and pivot hinge for single-action doors

Model EK, for welding to steel doors



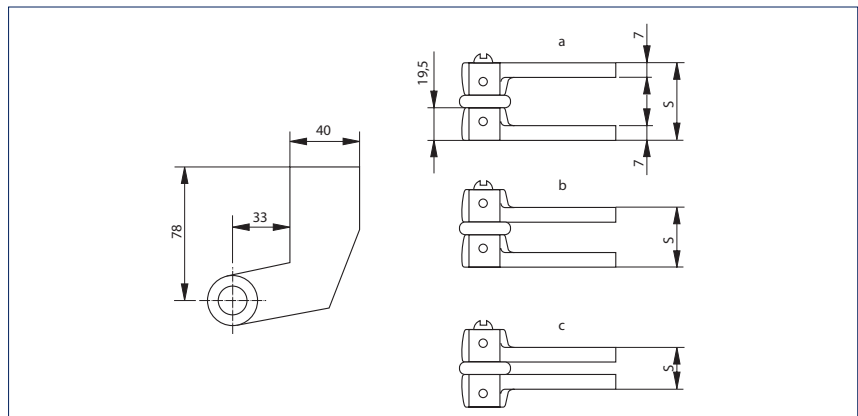
Door rail model FK



Door rail model FK



Pivot hinge model FK



Pivot hinge model FK

Installation dimensions	Combination		
	a	b	c
Dimension=	S	S	S
Pivot pin 41 mm without intermediate ring	41	28	15
Pivot pin 45 mm without intermediate ring	45	32	19
Pivot pin 49 mm without intermediate ring	49	36	23

The standard version has a 45 mm pivot pin.
41 mm and 49 mm pivot pins must be ordered separately.

Order information

Description	Version	ID no.
GEZE door rail for single-action doors Model EK, for welding to steel doors	Flat cone	008270
	Square	006699
GEZE pivot hinge for single-action doors Model EK, for welding to steel doors ¹⁾	combination a	006724
	combination b DIN left	000895
	combination b DIN right	000896
	C	000897
	Pivot pin 41 mm	
Pivot pin 49 mm		008022

¹⁾ Standard length of pivot pins = 45 mm

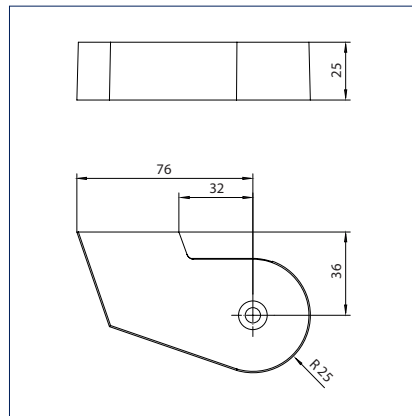
ACCESSORIES

GEZE Cover caps for door rails (flush-impact and rebated doors)

suitable for model DB, DM, EK, FK



Cover cap, right



Cover caps for door rails models DM, DB, EK, FK

Order information

Description	DIN direction	Version	ID no.
GEZE cover caps for door rails (flush-impact doors) suitable for model DB, DM, EK, FK	left	simulated stainless steel	137586
	left	EV1	006794
	left	aluminium, matt	006792
	right	simulated stainless steel	137577
	right	EV1	006798
	right	aluminium, matt	006796
GEZE cover caps for door rails (rebated doors) suitable for model DB, DM, EK, FK ¹⁾	left	simulated stainless steel	137618
	left	EV1	045196
	left	aluminium, matt	045184
	right	simulated stainless steel	137617
	right	EV1	045155
	right	aluminium, matt	045011

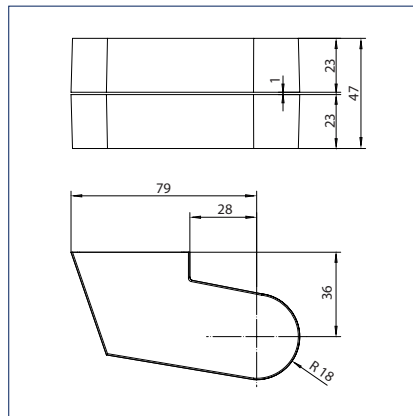
¹⁾ The cover caps for the door rails and the pivot bottom are ground by 14 mm for installation on rebated doors.

GEZE Cover caps for pivot hinges (flush-impact and rebated doors)

suitable for model DB, EK, FK



Cover cap, right



Cover caps for pivot hinges models DB, EK, FK

Order information

Description	DIN direction	Version	ID no.
GEZE caps for pivot hinges (flush-impact doors) suitable for model DB, EK, FK	left / right	EV1	001090
	left / right	aluminium, matt	001089
	left / right	simulated stainless steel	137640
GEZE caps for pivot hinges (rebated doors) suitable for model DB, EK, FK ¹⁾	left	simulated stainless steel	137641
	left	EV1	037918
	left	aluminium, matt	037917
	right	EV1	038302
	right	aluminium, matt	038284
	right	simulated stainless steel	137642

¹⁾ The cover caps for the door rails and the pivot hinge bottom are ground by 14 mm for installation on rebated doors.

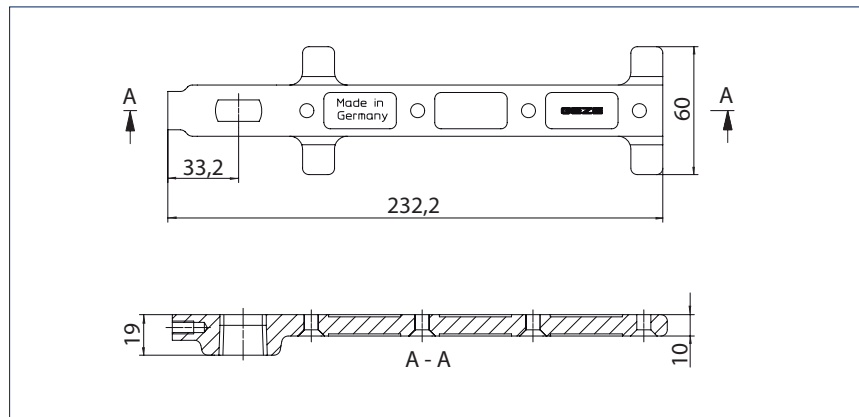
ACCESSORIES

GEZE Door rail for double-action doors

Model CM, C and S



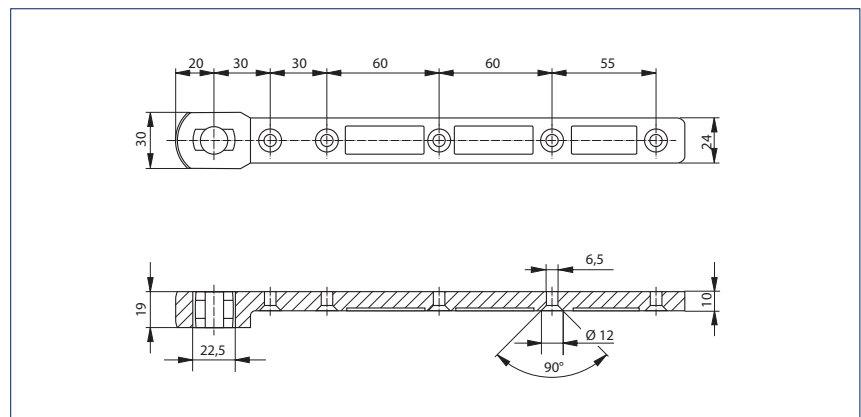
Door rail model CM



Door rail model CM



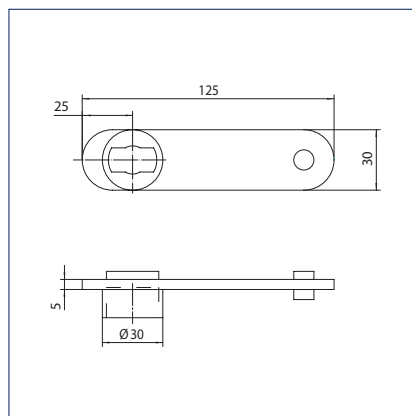
Door rail model C



Door rail model C



Door rail model S



Door rail model S

Order information

Description	Version	ID no.
GEZE door rail for double-action doors Model CM, for metal doors, on-site adaptation to profile system, without surface treatment	galvanised	021817
GEZE door rail for double-action doors Model CM, for metal doors, adapted to profile system ¹⁾	Flat cone galvanised	001067
GEZE door rail for double-action doors Model C, for metal and wooden doors	Flat cone galvanised	007432
GEZE door rail for double-action doors Model S, for welding to steel doors	Flat cone phosphated	007434

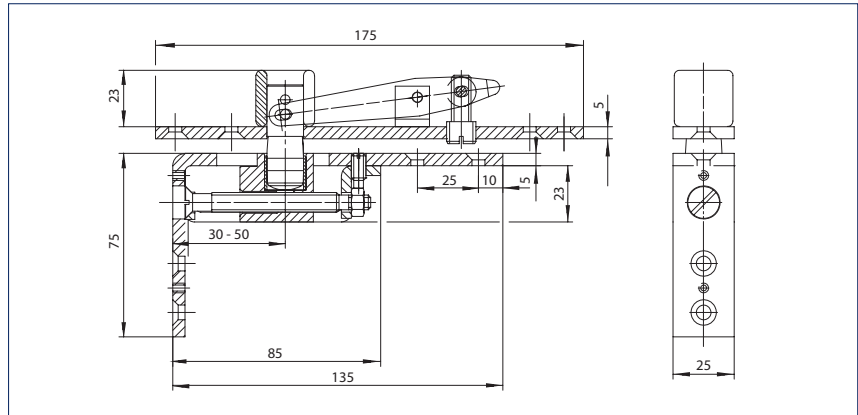
¹⁾ The profile system and profile combination used must be specified with the order.

GEZE Adjustable pivot hinge for double-action doors

Models B and C, suitable for door rails C, CM, S



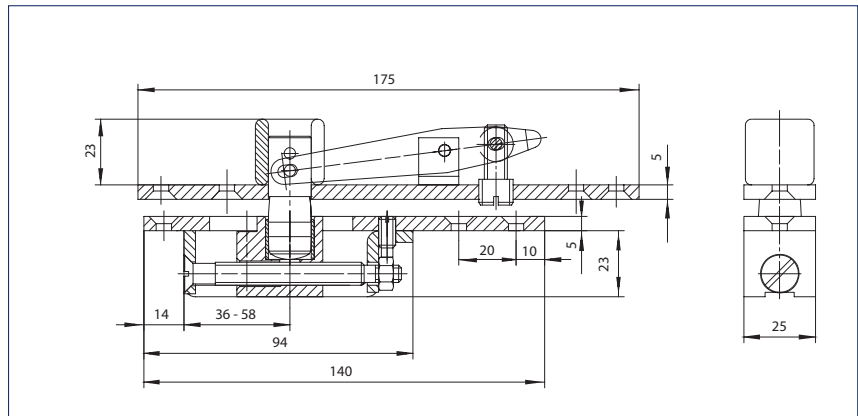
Adjustable pivot hinge model B



Adjustable pivot hinge model B



Adjustable pivot hinge model C



Adjustable pivot hinge model C

Order information

Description	Version	ID no.
GEZE adjustable pivot hinge for double-action doors Model B, suitable for door rails C, CM, S	pivot pin 43 mm	galvanised 006371
	pivot pin 55 mm	galvanised 000108
	pivot pin 65 mm	galvanised 000903
GEZE adjustable pivot hinge for double-action doors Model C, suitable for door rails C, CM, S	pivot pin 43 mm	galvanised 006666
	pivot pin 55 mm	galvanised 000905
	pivot pin 65 mm	galvanised 000904
Covering sheet metal for pivot top Models B and C	Matt light alloy	006375
	Anodised light alloy EV1	006376
	Anodised light alloy E6/EV1	000876
Front plate for pivot bottom Model B	Matt light alloy	006667
	Anodised light alloy E6/EV1	000878
GEZE pivot top cover plate for pivot hinge model B and C	Anodised light alloy EV1	006669

GEZE RAUCHSCHALTERZENTRALE RSZ 6

GEZE smoke switch control unit RSZ 6

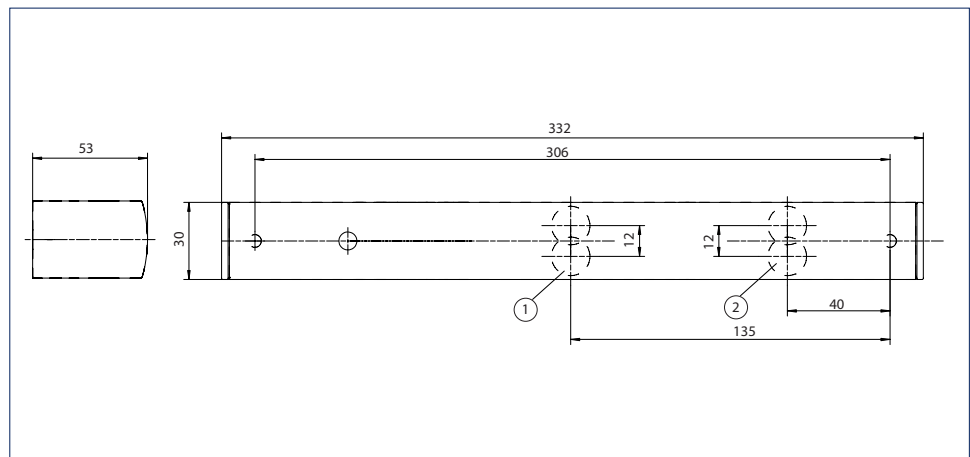
Smoke switch and power supply for all GEZE hold-open mechanisms

The GEZE smoke switch control unit RSZ 6 in the typical GEZE design has an overall height of 30 mm. It is connected to the 230 V power supply system and supplies the connected hold-open mechanisms reliably with 24 V DC voltage (max. 200 mA).

The smoke switch control unit is mounted on the vertical wall above the door opening, thus making the early detection of fire and smoke possible (please keep at least 20 mm clear of the ceiling). If an alarm is triggered, the voltage supply to the hold-open mechanisms (e.g. electrical hold-open device in the guide rail or holding magnet) is interrupted and the doors close immediately. The connection of two additional ceiling-mounted alarms may be necessary depending on requirements. The integrated smoke switch has an automatic adaptation of the alarm threshold. This compensates light soiling of the smoke chamber and increases service life. The current state of the smoke switch is shown by an optical signal.



GEZE smoke switch control unit RSZ 6



- 1 = Additional connections
- 2 = Power supply UP 230 V AC

Area of application

- Approved for use with all GEZE hold-open mechanisms

GEZE RAUCHSCHALTERZENTRALE RSZ 6

GEZE smoke switch control unit RSZ 6 - Order information

Description	Version	ID no.
GEZE smoke switch control unit RSZ 6 Smoke switch and power supply for all GEZE hold-open mechanisms	silver	099851
	dark bronze	099857
	white RAL 9016	099858
	simulated stainless steel ²⁾	099856
	acc. to RAL ³⁾	099859
Set smoke switch control unit RSZ 6 ECwire Smoke switch control unit ECwire for simple wiring using 2-wire technology incl. 2 ceiling-mounted smoke detectors type GC 162 (white)	silver-coloured	154976
	white RAL 9016	154979
	simulated stainless steel ²⁾	154991
	acc. to RAL 2)	154980
GEZE smoke detector GC 152 ¹⁾ Complete with base, 24 V DC, 20 mA, tested in accordance with EN54-7, with general approval for use with all GEZE hold-open systems, integrated line monitoring, conform with DIN EN 14637	white	139850
GEZE thermal detector GC 153 Complete with base, 24 V DC, 20 mA, tested to EN54-5, with general approval for use with all GEZE hold-open systems, integrated line control, conform with DIN EN 14637	white	139881
GEZE manual trigger switch AS 500 for the manual release of electrically controlled hold-open mechanisms including terminating resistance for line monitoring	alpine white/red	116266
GEZE manual trigger switch AS 500 (with glass pane and 5 interchangeable labels) for the manual release of electrically controlled hold-open mechanisms	alpine white/red	120880
Surface-mounted box, single suitable for the AS 500 switch range		120503
Replacement glass cover for GEZE manual trigger switch 120880 and 120881		010994

1) Only approved with RSZ6

2) Only for dry rooms

3) Surcharge for RAL special colours, see General Information in the Price List.



GEZE TS 550 E-IS-G, Hafencity University Hamburg, Germany (Photo: Stefan Dauth)

GEZE PATCH FITTINGS

GEZE Patch Fittings

Glass clamp fittings for GEZE floor springs

GEZE Patch Fittings are versatile clamp fittings for all-glass installations both inside and outside. They are particularly characterised by their timeless and restrained design. In combination with the GEZE floor springs TS 500 NV or TS 550 NV, they can be used for single-leaf and double-leaf connecting doors that can be passed through comfortably and are self-closing. The available clamping shims allow constant product dimensions irrespective of the 8, 10 and 12 mm glass thicknesses used. The visible surfaces are available in silver-coloured anodised aluminium as well as in satinised and polished stainless steel.

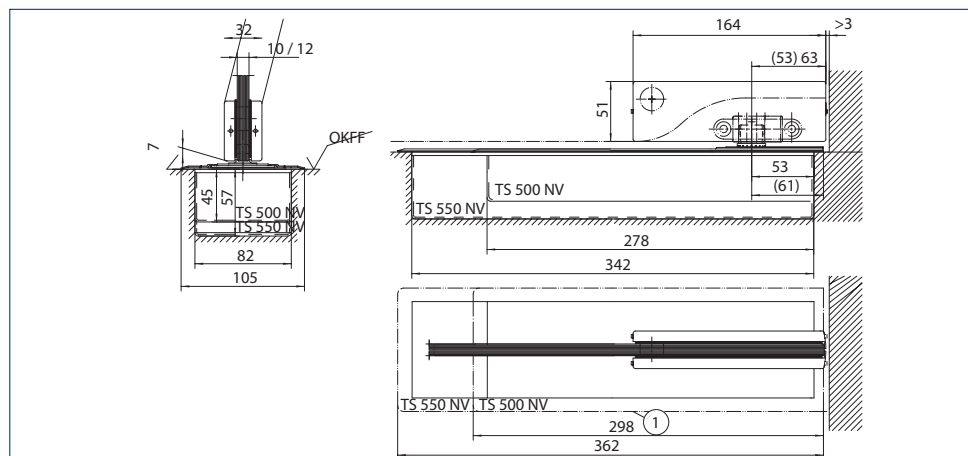
Standard package / scope of delivery:

GEZE Patch Fittings as standard for 10 and 12 mm glass thickness and installation instructions.

Special version

- Optional glass clamp fitting for 8 mm glass thickness

GEZE Patch Fittings upper door leaf corner fitting with angle fanlight fitting



GEZE PT 10 lower corner fitting with GEZE floor springs 500 NV / 550 NV

Area of application

- For internal and external installations
- For double-action doors
- For static all-glass installations
- For toughened safety glass
- For glass thicknesses 8, 10 and 12 mm

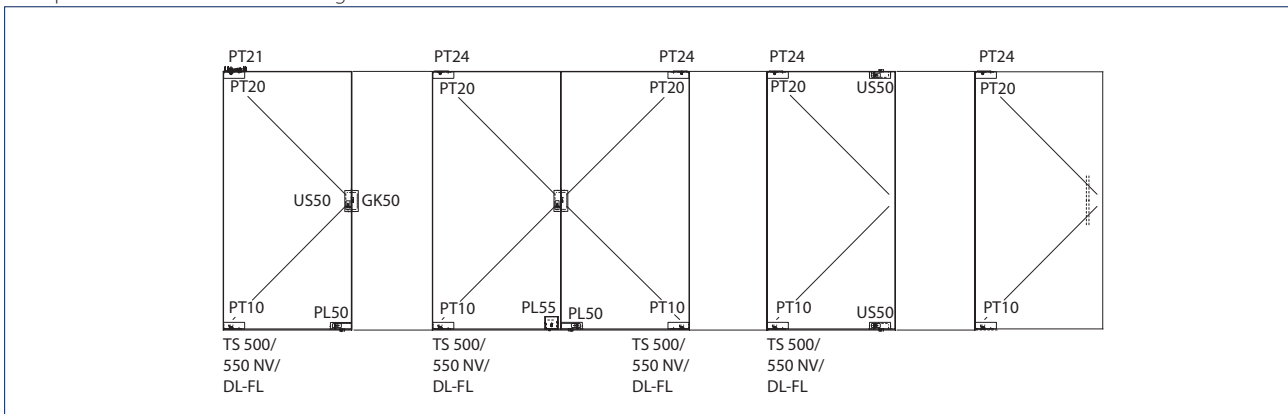
Technical data Patch Fittings

Product features	GEZE Patch Fittings
Design depth irrespective of glass thickness	32 mm
Variable pivot point with double-action doors	53 and 63 mm
Tightening torques of the clamping screws	9 Nm
Glass thicknesses that can be used and system heights	8 mm up to 2100 mm 10 mm up to 3000 mm 12 mm up to 4000 mm
Burglar-resistant installation of the fitting / insert	●
Shims for glass thicknesses 10 and 12 mm	Supplied by GEZE
Shims for glass thickness 8 mm	Optionally available
Door leaf height	Max. 2800 mm
Door leaf width	Max. 1000 mm
Door leaf weight	Max. 100 kg
Floor springs that can be used	With flat conical spindle - GEZE TS 500 NV / TS 550 NV
Locks prepared for profile cylinders	EURO-PZ 30/30

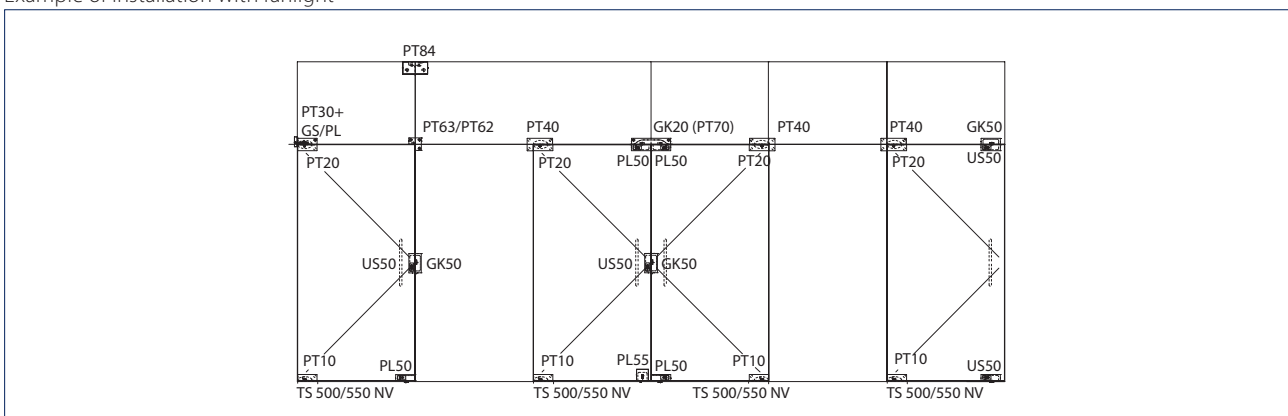
● = JA

Standard installation

Example of installation without fanlight



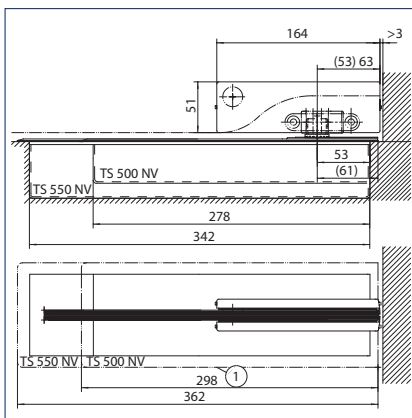
Example of installation with fanlight



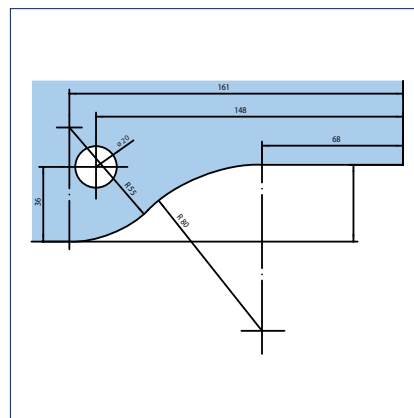
Corner fittings for door leaves and pivot bearings



GEZE PT 10 - Lower door leaf corner fitting



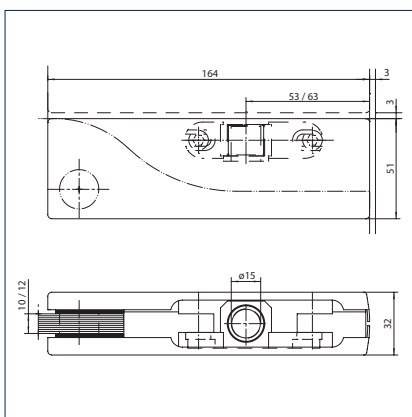
GEZE PT 10 - Lower door leaf corner fitting
 1 = Finished floor level



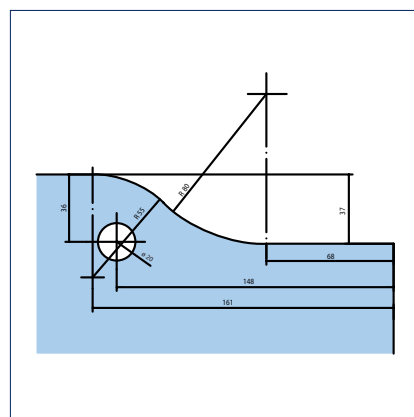
Drawing no. 91905-9-0950



PT 20 - Upper door leaf corner fitting



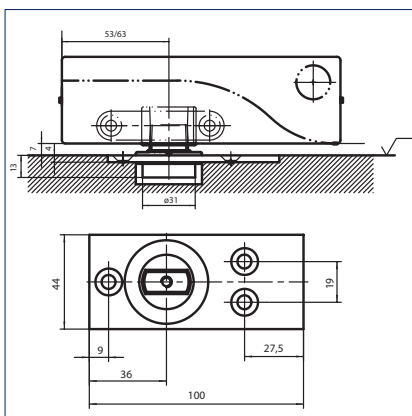
PT 20 - Upper door leaf corner fitting



Drawing no. 91905-9-0950



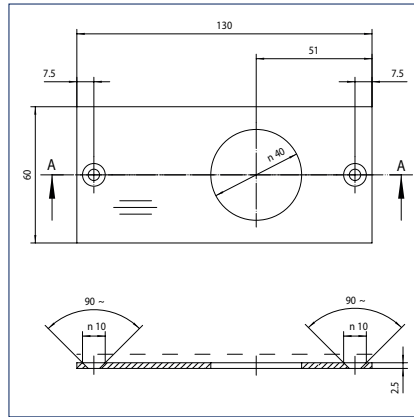
GEZE DL-FL - Floor-mounted pivot bearing



GEZE DL-FL - Floor-mounted pivot bearing



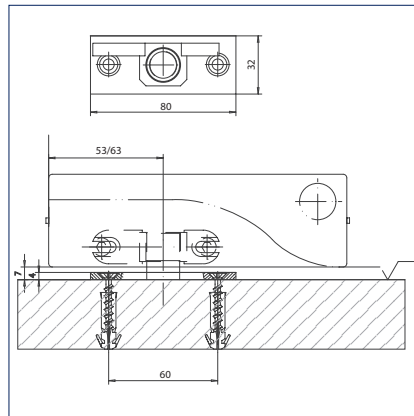
GEZE DL-FL – cover plate



GEZE DL-FL – cover plate



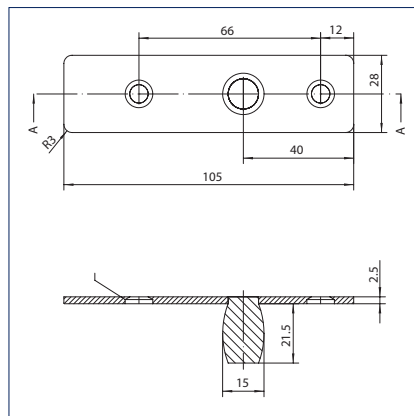
GEZE DL-RD - Floor-mounted pivot bearing



GEZE DL-RD - Floor-mounted pivot bearing



GEZE PT 24 - Top pivot

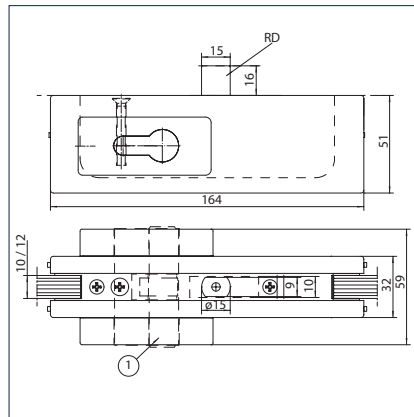


GEZE PT 24 - Top pivot

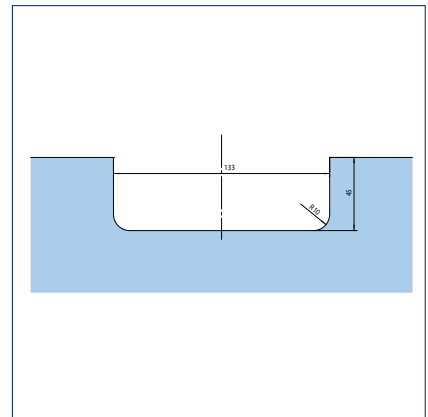
Locks and strike boxes



GEZE US 50 RD - Centre lock with round bolt



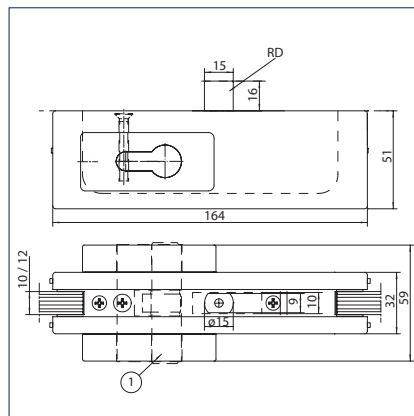
GEZE US 50 RD - Centre lock with round bolt
 RD = Round bolt
 1 = for Euro profile cylinder 30/30 mm



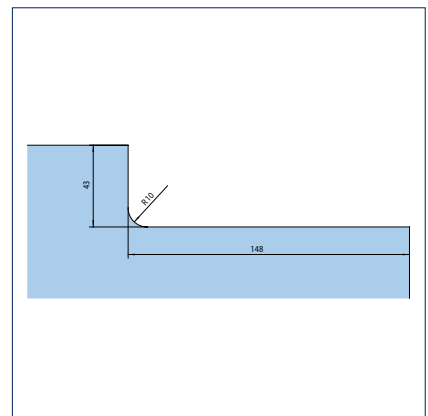
Drawing no. 91905-9-0962



GEZE US 50 RD - Corner lock with round bolt



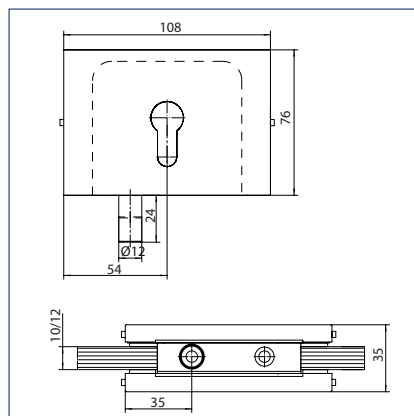
GEZE US 50 RD - Corner lock with round bolt
 RD = Round bolt
 1 = for Euro profile cylinder 30/30 mm



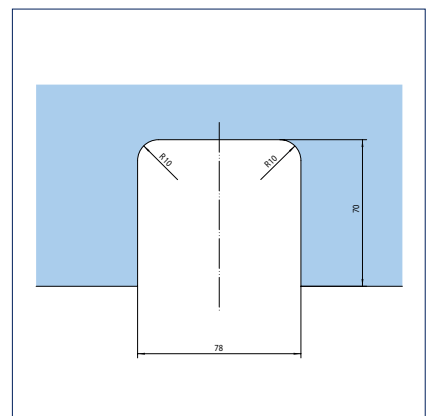
Drawing no. 91905-9-0963



GEZE PL 55 RD - Floor lock with round bolt



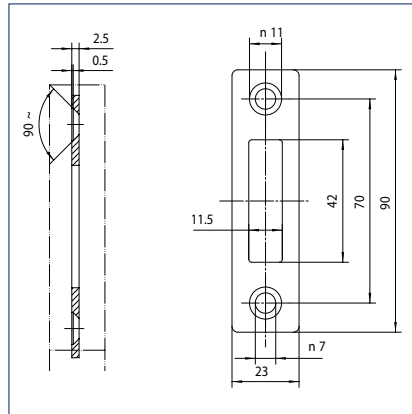
GEZE PL 55 RD - Floor lock with round bolt



Drawing no. 91905-9-0964



GEZE SB - strike plate



GEZE SB - strike plate

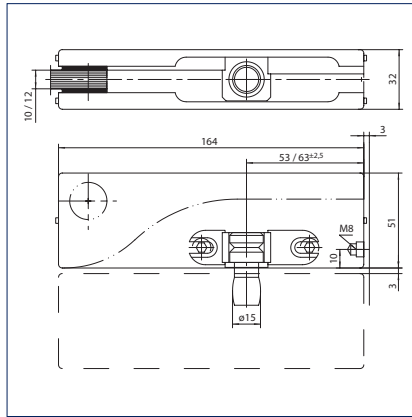
Order information

Description	Version	ID no.
GEZE US 50 RD Centre lock with round bolt (RD)	EV1	135102
	satın stainless steel	124152
	polished stainless steel	124153
GEZE PL 50 RD Corner lock with round bolt (RD)	EV1	135096
	satın stainless steel	124154
	polished stainless steel	124155
GEZE PL 55 Floor lock with round bolt - rectangular design	EV1	135097
	satın stainless steel	127829
	polished stainless steel	127827
GEZE GK 20 Strike box - double	EV1	135099
	satın stainless steel	111467
	polished stainless steel	119886
GEZE GK 50 Strike box - single	EV1	135100
	satın stainless steel	111463
	polished stainless steel	119883
Accessories		
GEZE PZ Profile cylinder 30/30 with 3 keys for patch fittings		127852
GEZE SB Strike plate - flat version, suitable for round and flat bolts	satın stainless steel	124942
	polished stainless steel	124943
GEZE LC Closing recess for round bolts	satın stainless steel	124156
	polished stainless steel	124157
GEZE IL 50 Glass clamp fitting for 8 mm glass thickness	black	135149
GEZE IL 55 Glass clamp fitting for 8 mm glass thickness	black	135151
GEZE IL 75/20 Glass clamp fitting for 8 mm glass thickness	black	135144

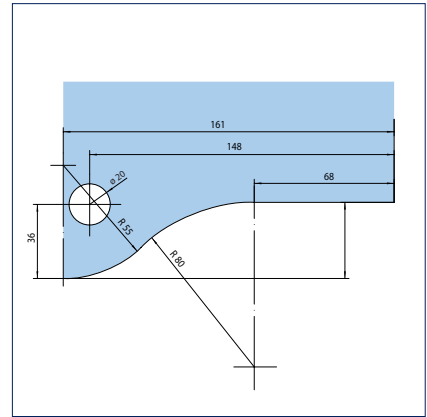
Fanlight fittings with / without connection of side parts



GEZE PT 30 - Fanlight fitting with pivot pin



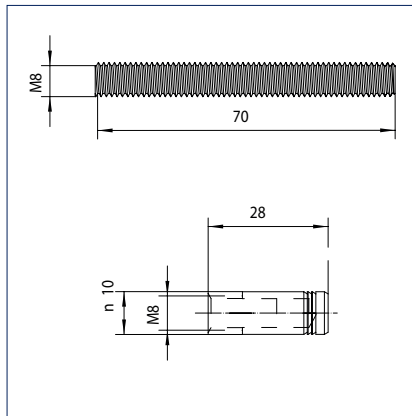
GEZE PT 30 - Fanlight fitting with pivot pin



Drawing no. 91905-9-0950



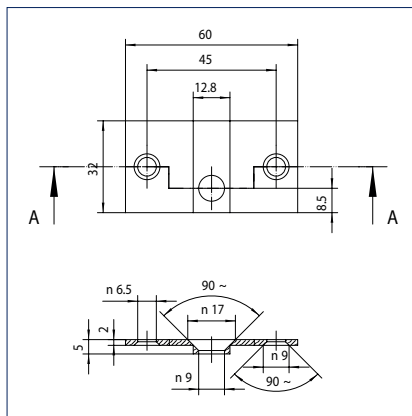
GEZE GS-PT 30 - Setscrew with wall plug



GEZE GS-PT 30 - Setscrew with wall plug



GEZE PL-PT 30 - Fixing plate for PT 30

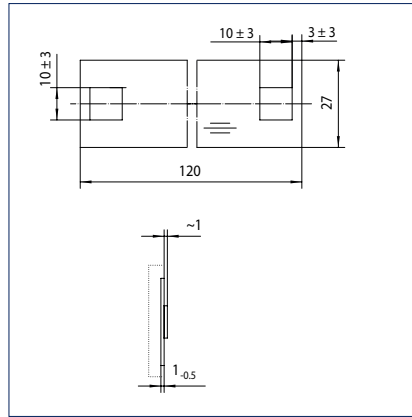


GEZE PL-PT 30 - Fixing plate for PT 30

GEZE PATCH FITTINGS



GEZE IS-BLK - Blind insert



GEZE IS-BLK - Blind insert

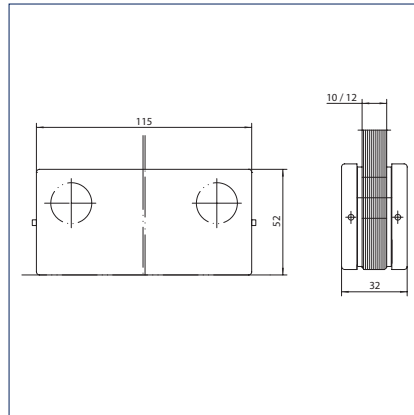
Order information

Description	Version	ID no.
GEZE PT 30 Fanlight fitting with pivot bearing bolt	EV1	135082
	satin stainless steel	111461
	polished stainless steel	119881
GEZE PT 40 Corner overpanel/fixd panel patch with pivot bearing bolt	EV1	135083
	satin stainless steel	111462
GEZE PT 63 Fanlight-fixed panel connector	EV1	135088
	sSatin stainless steel	111469
GEZE PT 75 Fanlight fitting - double with two pivot bearing bolt	EV1	135090
	satin stainless steel	127277
	polished stainless steel	127278
	Accessories	
GEZE IS-BS Door stop insert for GEZE PT 30 / 40 and 75	black	135105
GEZE GS-PT 30 Setscrew M8 with wall plug for fixing the PT 30	galvanised	135103
GEZE PL-PT 30 Fixing plate for PT 30 for wall assembly	EV1	135104
GEZE IS-BLK Blind insert for GEZE PT 30 / 40 and PT 75	EV1	135350
	satin stainless steel	135349
	polished stainless steel	135106
GEZE IL 10/20/30 Glass clamping shim for 8 mm glass thickness	black	135077
GEZE IL 40 Glass clamping shim for 8 mm glass thickness	black	135078
GEZE IL 63 Glass clamping shim for 8 mm glass thickness	black	135142
GEZE IL 75/20 Glass clamping shim for 8 mm glass thickness	black	135144

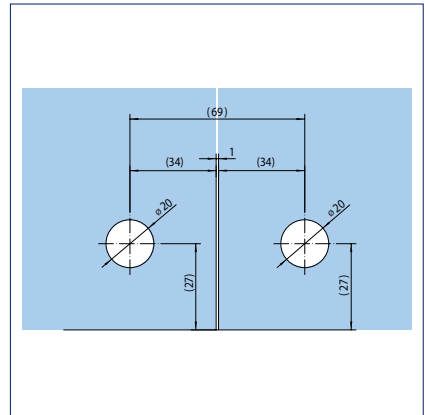
Fittings for glass / glass and glass / wall connections



GEZE PT 70 - Connecting fitting



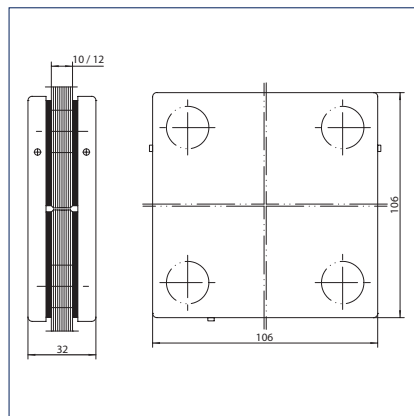
GEZE PT 70 - Connecting fitting



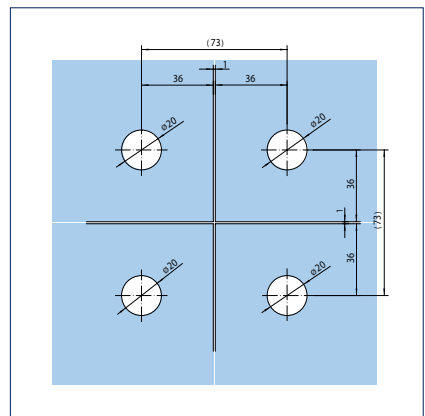
Drawing no. 91905-9-0956



GEZE PT 80 - Connecting fitting



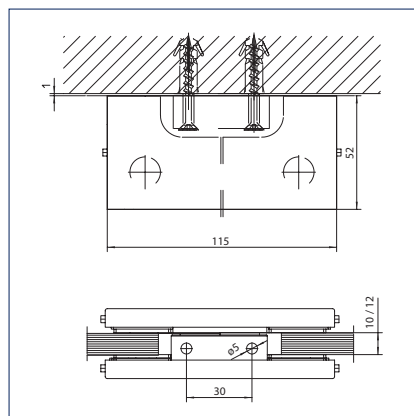
GEZE PT 80 - Connecting fitting



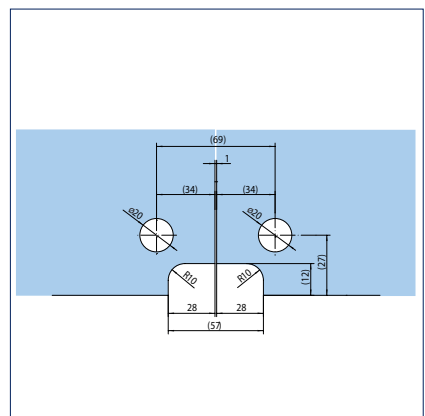
Drawing no. 91905-9-0958



GEZE PT 84 - Glass-wall connector



GEZE PT 84 - Glass-wall connector

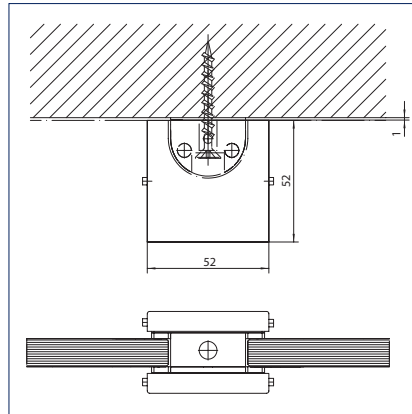


Drawing no. 91905-9-0960

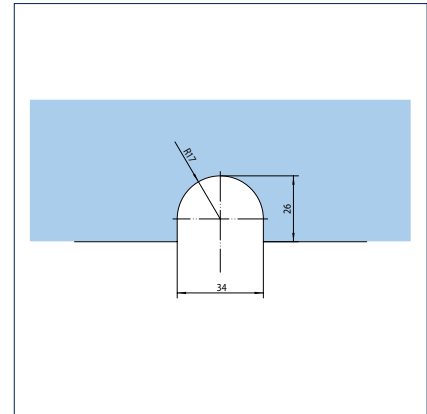
GEZE PATCH FITTINGS



GEZE PT 90 - Glass-wall connector



GEZE PT 90 - Glass-wall connector



Drawing no. 91905-9-0961

Order information

Description	Version	ID no.
GEZE PT 70 Glass-glass connector, 2-fold	EV1	135089
	satin stainless steel	111471
	polished stainless steel	119889
GEZE PT 80 Glass-glass connector 4-fold	EV1	135091
	satin stainless steel	111473
	polished stainless steel	119891
GEZE PT 84 Glass-wall connector, 2-fold	EV1	135093
	satin stainless steel	124164
	polished stainless steel	124165
GEZE PT 90 Glass-wall connector, 1-fold	EV1	135094
	satin stainless steel	124162
	polished stainless steel	124163
Accessories		
GEZE IL 70 Glass clamp fitting for 8 mm glass thickness	black	135143
GEZE IL 80 Glass clamp fitting for 8 mm glass thickness	black	135145
GEZE IL 84 Glass clamp fitting for 8 mm glass thickness	black	135147
GEZE IL 90 Glass clamp fitting for 8 mm glass thickness	black	135148

Note

For reasons of clarity, the drawings shown are not to scale.



Glass Trösch, Kempten, Germany (Photo: N. Grünwald)

GEZE PENDULO SYSTEM

GEZE Pendulo System

All-glass wall system with integrated door closer

The Pendulo all-glass partition system creates rooms without visual restrictions. Numerous elegant solutions can be realised with this transparent partition in offices, in shop fitting or at home. The high level of convenience of the single and double-leaf double-action doors is achieved by integration of the fully-fledged door closer in the lower design profile. The double-action doors have an opening angle of +/- 90° to the partition axis and are equipped with 90° hold-open mechanism as standard. All settings on the door closer including the zero position can be carried out without removing the cover panels. The system comprises different single and double-leaf door types with or without fanlight which can be combined with corresponding fixed panel types.

The partition system is available both as a customer-specific system (preassembled version) as well as a modular system (kit). The kit version is made up of fixed lengths of the individual element types which can be shortened to certain dimensions on site.

Standard package / scope of delivery:

Profile surface silver-coloured anodised (EV1), lower door profile with integrated door closer with 90° hold-open mechanism.

Special version:

Door closer without hold-open mechanism, profile surface stainless steel colour anodised or RAL painted (only mass-produced version), various lock and handle variants

GEZE Pendulo System



Area of application

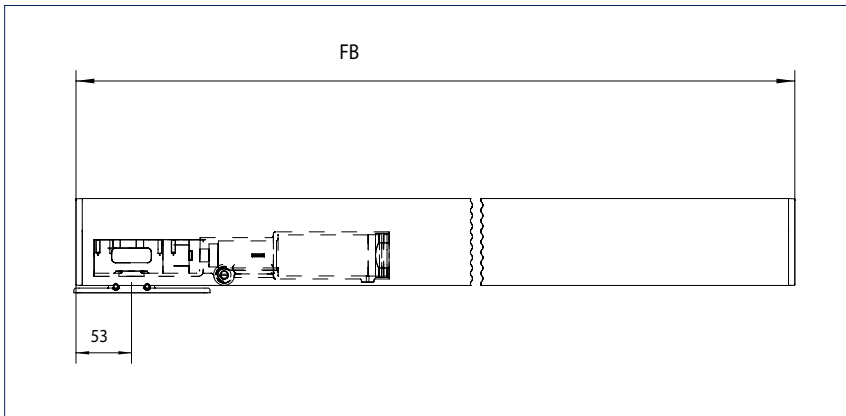
- For internal and external systems
- For areas with medium passage frequency
- For toughened safety glass
- For glass thicknesses 8 and 10 mm

Product features	GEZE Pendulo System
Design depth irrespective of glass thickness	52 mm
Glass thickness that can be used and system heights	8 mm / 2000 mm - 10 mm / 3000 mm
Burglar-resistant installation of the insert	•
Door leaf height (max.)	2600 mm
Door leaf width (max.)	1100 mm
Door leaf weight (max.)	80 kg
Locks prepared for profile cylinders	•
Glass width fixed panel / fixed panel width	1500 mm / 6000 mm
Integrated closer	Pendulo C
Hold-open mechanism of closer	90°
Cover caps of profile	painted
Floor / ceiling recess	no
Configurable product system	•

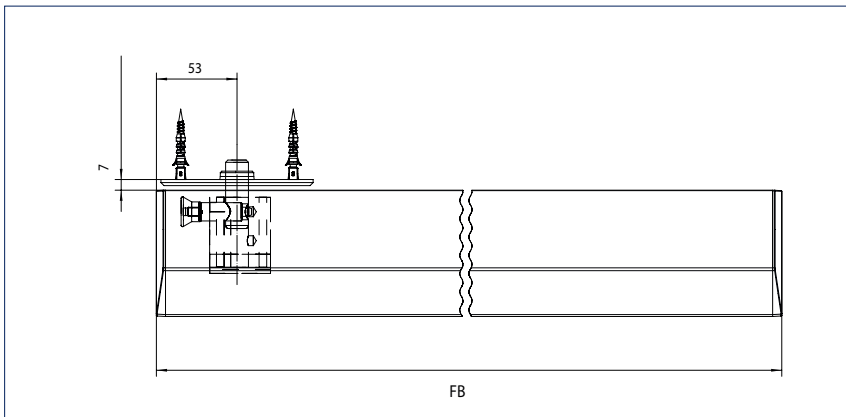
• = YES

Configured system

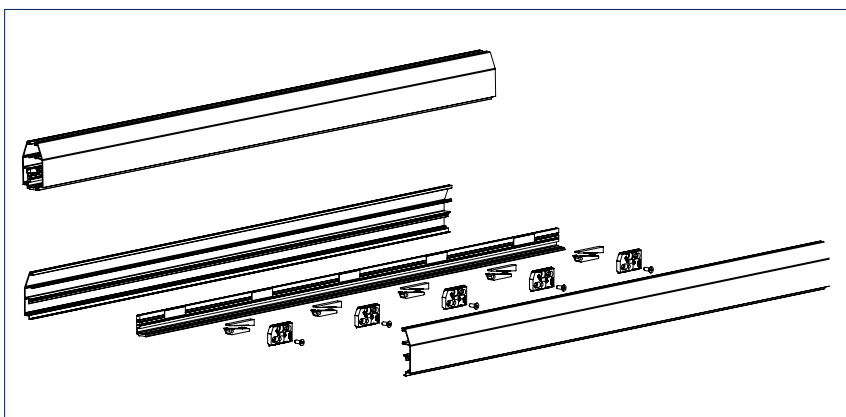
Technical illustration of Pendulo double-action door and fixed panel profile



Lower door profile with Pendulo door closer



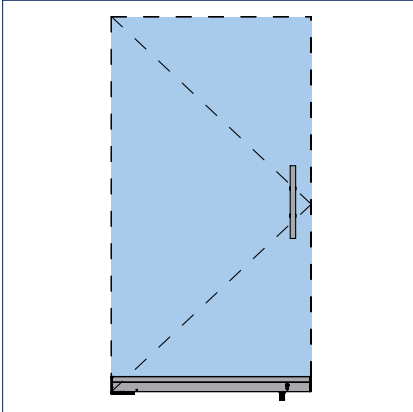
Upper door profile with pivot bearing



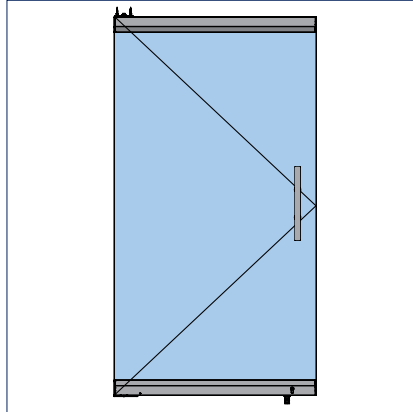
Modular fixed panel profile with clip-on cover Pendulo profile design

GEZE PENDULO SYSTEM

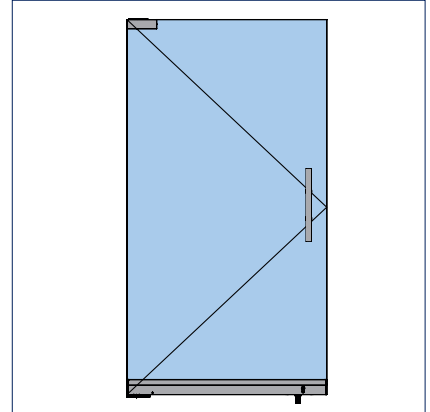
Door types without fanlight



Double-action door type PT 01

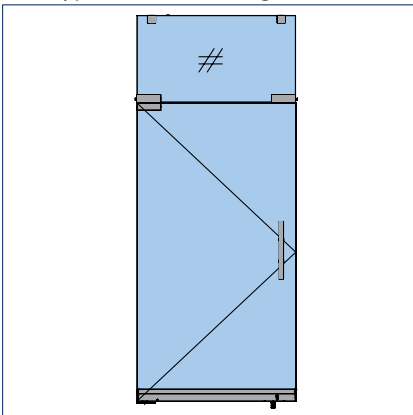


Double-action door type PT 02

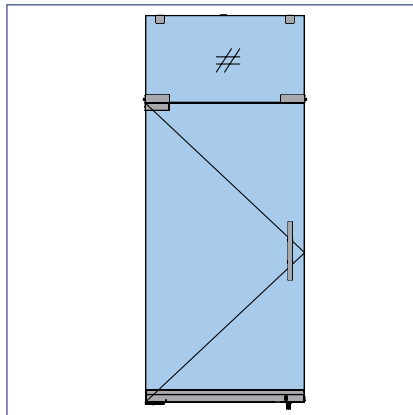


Double-action door type PT 03

Door types 1-leaf with fanlight

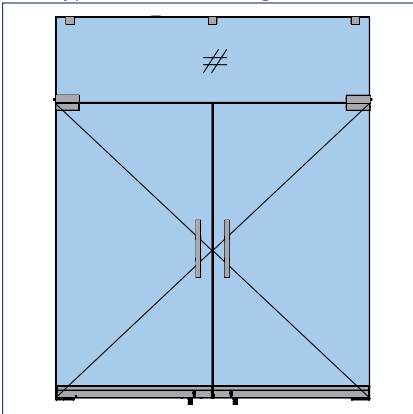


Double-action door type PT 04

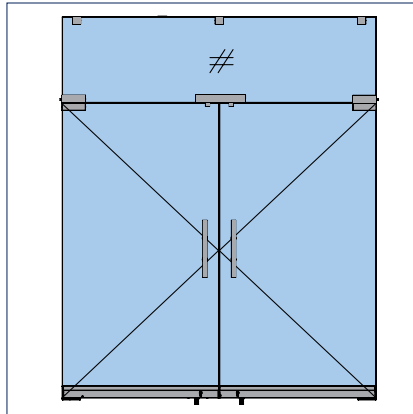


Double-action door type PT 04 BS

Door types 2-leaf with fanlight

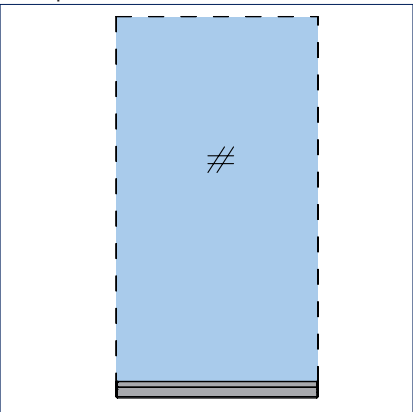


Double-action door type PT 05

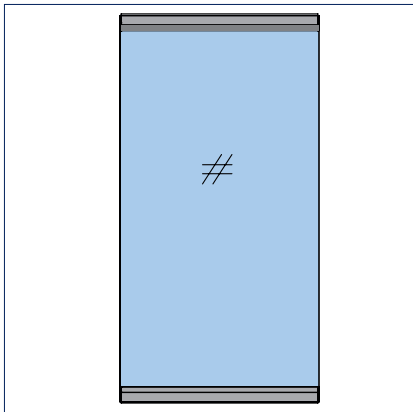


Double-action door type PT 05 BS

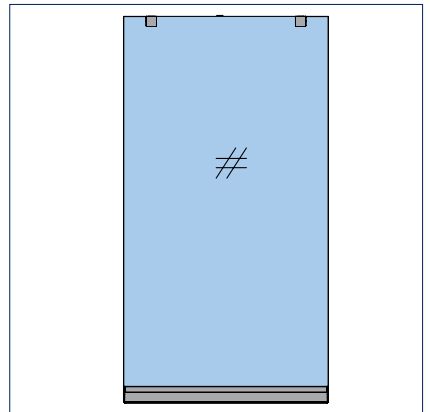
Fixed panels



Fixed panel type FF 01



Fixed panel type FF 02

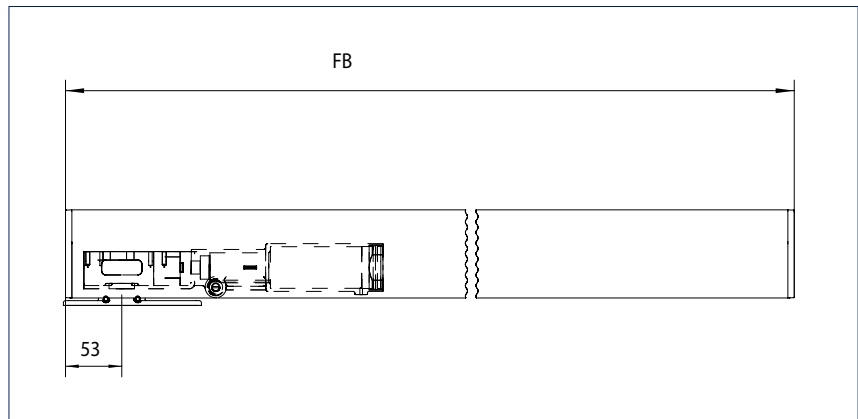


Fixed panel type FF 03-05

System kits



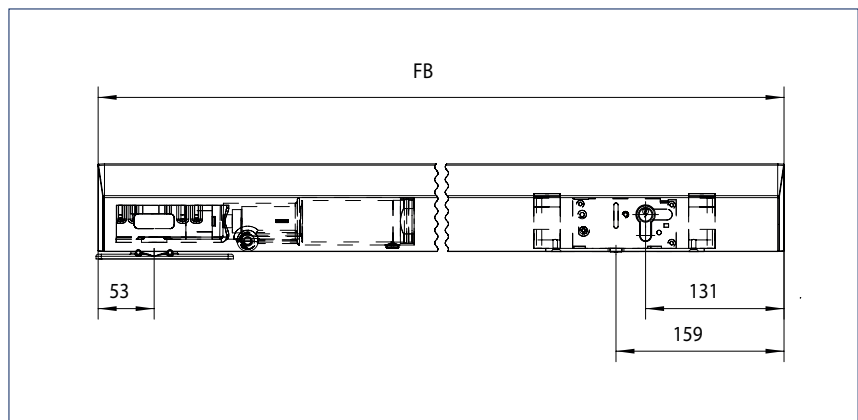
Door profile bottom without lock



FB = Leaf width



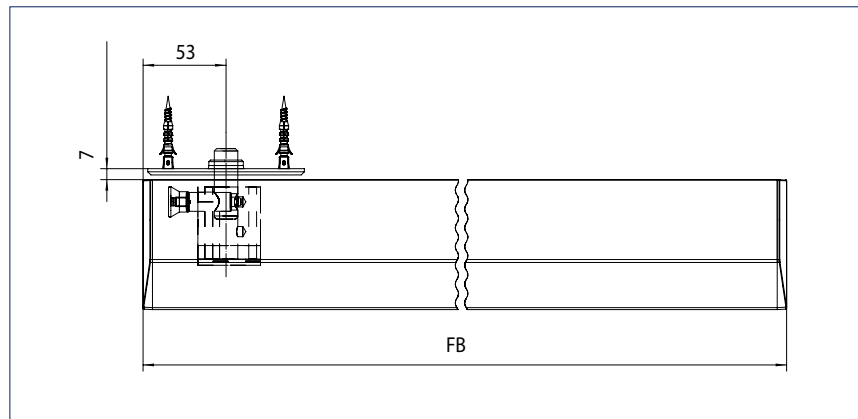
Door profile bottom with lock



FB = Leaf width



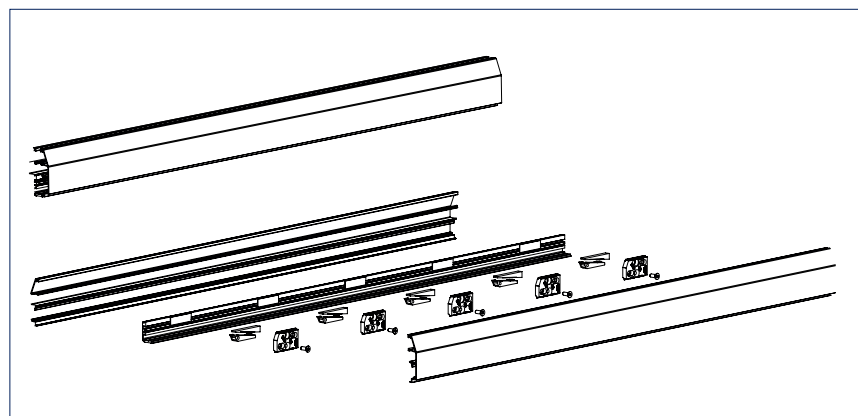
Door profile top



FB = Leaf width



Fixed panel profile



FB = Leaf width

GEZE PENDULO SYSTEM

Order information

Description	Surface	Version	Width in mm	ID no.
GEZE Pendulo door rail profile bottom with integrated door closer Pendulo C with hold-open device 90°, floor bearing, floor lock and floor socket, equipped for 10 mm glass thickness, profile can be shortened by 50 mm	anodised	EV1	1.100	149748
	anodised	EV1	1.050	149749
	anodised	EV1	1000	149752
	anodised	EV1	950	149754
	anodised	EV1	900	149755
	anodised	EV1	850	149756
	anodised	EV1	800	149757
	anodised	stainless steel colour	1.100	149758
	anodised	stainless steel colour	1.050	149759
	anodised	stainless steel colour	1000	149760
	anodised	stainless steel colour	950	149771
	anodised	stainless steel colour	900	149772
	anodised	stainless steel colour	850	149773
	anodised	stainless steel colour	800	149774
GEZE Pendulo door rail profile bottom with integrated door closer Pendulo C without hold-open device 90°, with floor bearing, floor lock and floor socket, equipped for 10 mm glass thickness, profile can be shortened by 50 mm	anodised	EV1	1.100	149775
	anodised	EV1	1.050	149776
	anodised	EV1	1000	149777
	anodised	EV1	950	149778
	anodised	EV1	900	149779
	anodised	EV1	850	149780
	anodised	EV1	800	149781
	anodised	stainless steel colour	1.100	149782
	anodised	stainless steel colour	1.050	149783
	anodised	stainless steel colour	1000	149784
	anodised	stainless steel colour	950	149785
	anodised	stainless steel colour	900	149786
	anodised	stainless steel colour	850	149787
	anodised	stainless steel colour	800	149788
GEZE Pendulo door rail profile bottom with integrated door closer Pendulo C with hold-open device 90°, floor bearing, without floor lock equipped for 10 mm glass thickness, profile can be shorted variably	anodised	EV1	1.100	149789
	anodised	stainless steel colour	1.100	149790
GEZE Pendulo door rail profile bottom with integrated door closer Pendulo C without hold-open device 90°, with floor bearing, without floor lock equipped for 10 mm glass thickness, profile can be shorted variably	anodised	EV1	1.100	149791
	anodised	stainless steel colour	1.100	149792
GEZE Pendulo door rail profile top with pivot bearing, equipped for 10 mm glass thickness, profile can be shortened individually	anodised	stainless steel colour	1.100	149803
	anodised	EV1	1.100	149802
GEZE Pendulo fixed panel profile - complete Used at the top or bottom, with variably adjustable clamping units, profile can be shortened individually, without end cover caps	anodised	EV1	1.200	150603
	anodised	EV1	2.500	150602
	anodised	stainless steel colour	1.200	150605
	anodised	stainless steel colour	2.500	150604
Accessories				
GEZE clamping shims (fixed panel) Set 40 for 8 mm glass thickness				151987
GEZE clamping shim insert Pendulo for double-action doors for 8 mm glass thickness				149814
GEZE cover caps for clip-on cover profile design Pendulo (set = 2 units); the cover caps can be used only for glass thicknesses 8 and 10 mm	painted	silver		151902
	painted	stainless steel colour		151903
	non-painted	black		152254

Note

The GEZE Patch Fittings needed for the creation of the door types using the system kits are specified in the respective chapter.



Meesenburg GmbH, Flensburg, Germany (Photo: Jochen Stüber)



Meesenburg GmbH, Flensburg, Germany (Photo: Jochen Stüber)

GEZE MODULAR FIXED PANEL PROFILE

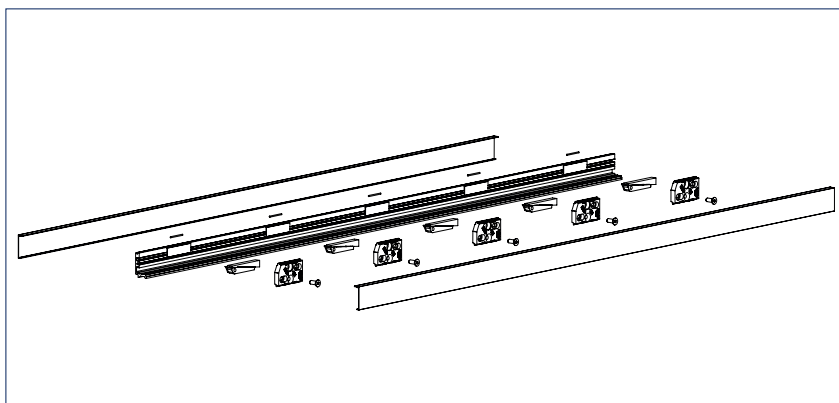
GEZE Modular fixed panel profile systems

One basic profile for different designs

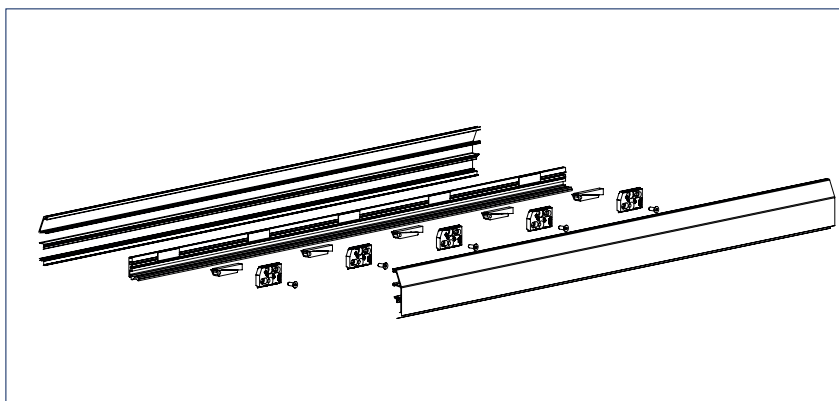
The new modular fixed panel profile is suitable for glass thicknesses of 8, 10 and 12 millimetres and is available in two different designs. The two aluminium clip-on cover profiles – either in profile design 40 or in the GEZE Pendulo all-glass wall system design – can be easily exchanged without making any changes to the basic system. This is made possible by the clamping jaws which can be freely positioned in the profile and which adjust to all glass thicknesses. Construction components outside of the system such as glazing blocks to calibrate the glass panes are not required because the relevant calibration units are integrated within the clamping system. This simplifies installation, reduces stocks and increases safety. The clamping screws on the clamping plates are screwed into the freely positionable threaded nuts which secures them against unauthorised removal.



Modular fixed panel profile with clip-on cover profile design 40



Modular fixed panel profile with clip-on cover Pendulo profile design



Area of application

- For glass thicknesses 8, 10 and 12 mm
- For protected outdoor areas
- For toughened safety glass
- For horizontal and vertical glass edging
- For use in combination with Patch Fittings and Pendulo double-action doors

Technical data modular fixed panel profile systems

Product features	Profile design 40	Profile design Pendulo
Overall depth	30 mm	52 mm
Profile height	40 mm	90 mm
Usable glass thicknesses	8, 10 and 12 mm	8 and 10 mm*
Installation heights (max.)	4,000 mm	3,000 mm
Glass pane weight (max.)	150 kg	
Glass pane width (max.)	2,500 mm	
Available surfaces	silver-coloured and stainless steel optic, anodised	
Material	aluminium	
Length (max.)	6,000 mm	
Burglar-resistant installation of the fitting	yes	
Cover caps	aluminium / stainless steel	painted
Position of the clamping units in the basic profile	variable	

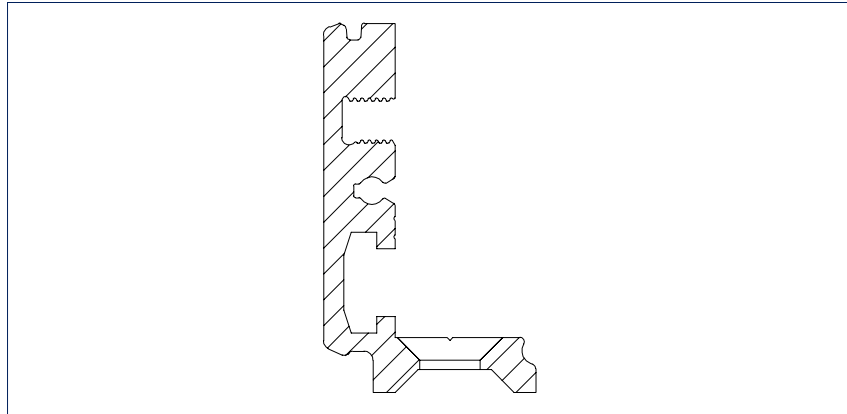
* Without end cover caps also for 12 mm

GEZE MODULAR FIXED PANEL PROFILE

System components



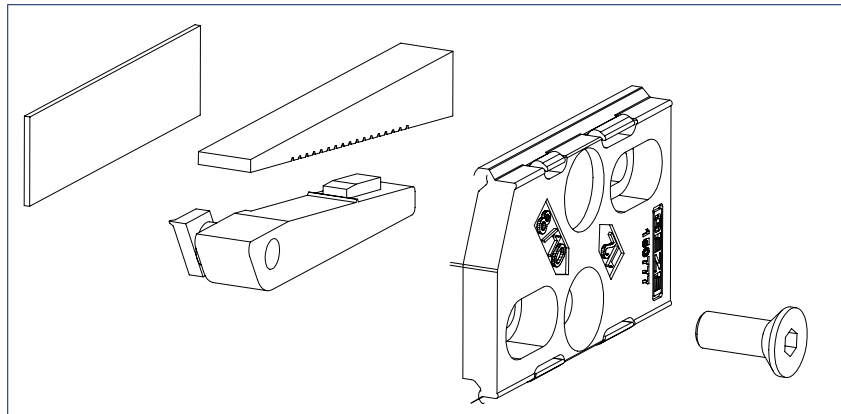
Basic profile



Basic profile



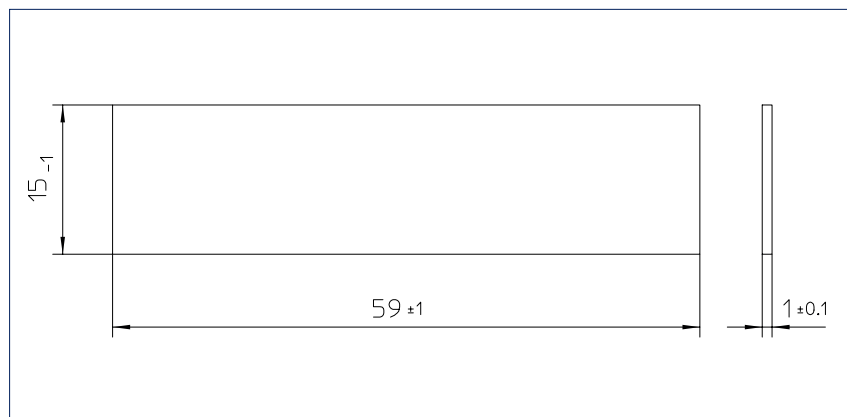
Clamping system units



Clamping system units



Clamping shim for 8 mm glass thickness

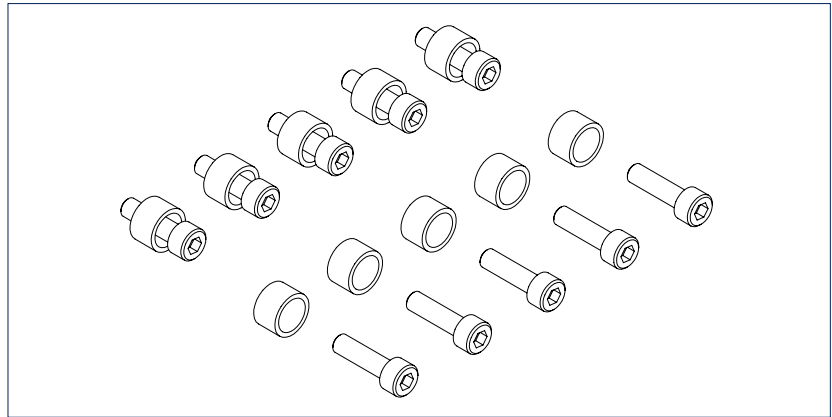


Clamping shim for 8 mm glass thickness

GEZE MODULAR FIXED PANEL PROFILE



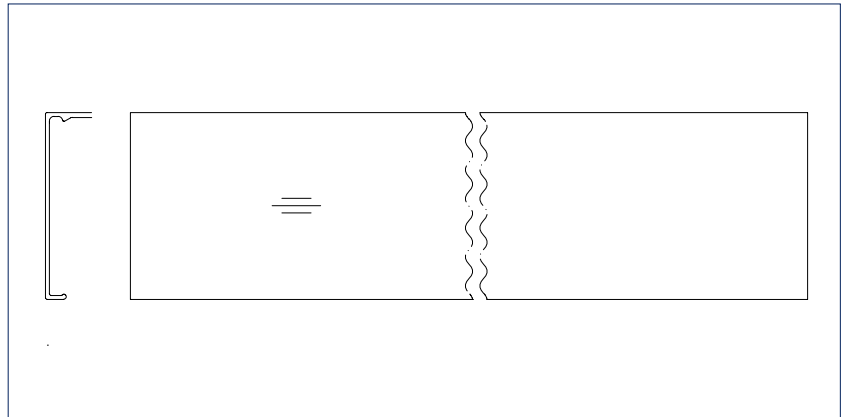
Safety set for fanlights and freely suspended glass panes



Safety set for fanlights and freely suspended glass panes



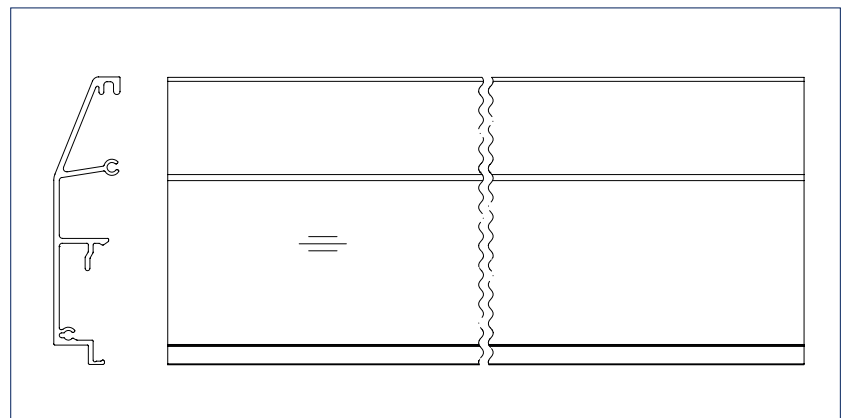
Clip-on cover profile design 40



Clip-on cover profile design 40

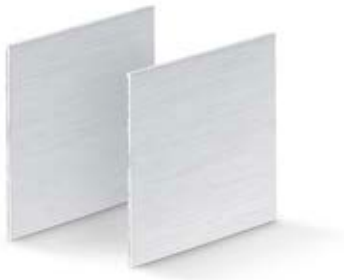


Clip-on cover profile design Pendulo

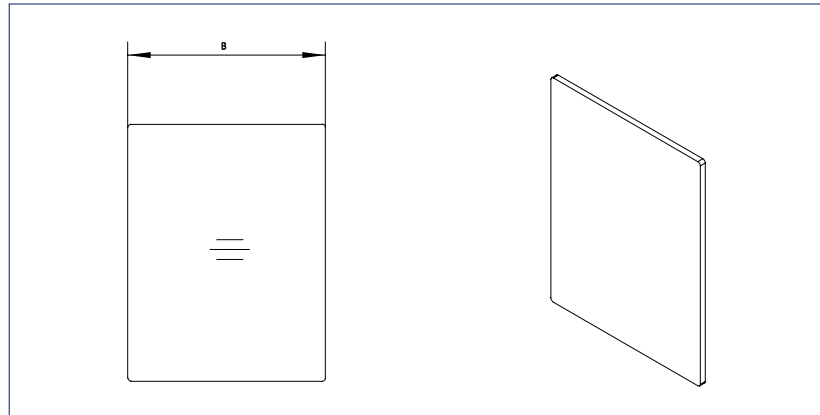


Clip-on cover profile design Pendulo

GEZE MODULAR FIXED PANEL PROFILE



End cover caps for profile design 40

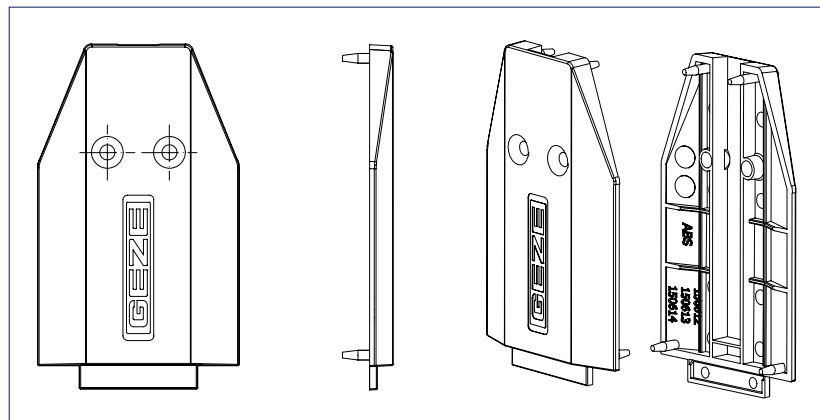


End cover caps profile design 40, glass thicknesses 8, 10 and 12 mm

B = Width (30 mm for glass thicknesses 8 and 10 mm, 32 mm for glass thickness 12 mm)



End cover caps for profile design Pendulo



End cover caps for profile design Pendulo

Order information

Description	Surface	Version	ID no.
GEZE Pendulo fixed panel system Basic profile, fixing holes drilled		mill finish	150774
GEZE clamping system units Set 20 Basic set for basic profile comprising 20 clamping jaws 8-12 mm, 20 clamping screws, 20 threaded nuts, 20 calibrating wedges, 20 clamping shims and 20 round cord sections			156692
GEZE clamping system unit set 01 for basic profile comprising, in each case, one clamping jaw 8-12 mm, clamping screw, threaded nut, calibrating wedge and clamping shims			151810
GEZE clamping shims (fixed panel) Set 40 for 8 mm glass thickness, adequate for 20 clamping units (set = 40 units)			156758
GEZE clip-on cover profile design 40 - aluminium	anodised	EV1	155742
	anodised	stainless steel colour	151137
GEZE end cover cap for profile design 40 for glass thicknesses 8 and 10 mm (set = 2 units)	anodised	EV1	156700
	brushed	stainless steel matt	156701
GEZE end cover cap for profile design 40 for glass thickness 12 mm (set = 2 units)	anodised	EV1	156716
	brushed	stainless steel matt	156717
GEZE clip-on cover profile design Pendulo suitable for glass thicknesses 8 and 10 mm	anodised	EV1	150778
	anodised	stainless steel colour	150794
GEZE cover caps for clip-on cover profile design Pendulo (set = 2 units); the cover caps can be used only for glass thicknesses 8 and 10 mm	painted	silver-coloured	151902
	painted	stainless steel colour	151903
	non-painted	black	152254
GEZE safety version set for fanlights and freely suspended glass panes comprising 5 units of glass protection sleeves and 5 units of safety screws			156760

POTENTIAL APPLICATIONS OF GEZE PRODUCTS

You will find more product information in the relevant brochures, see ID numbers.

Door technology	
01	Overhead door closers ID 091593, ID 091594
02	Hold-open systems ID 091593, ID 091594
03	Integrated door closers ID 091609
04	Floor springs and all-glass fittings ID 091607
05	Sliding fitting systems and linear guides ID 123605, ID 000586
Automatic door systems	
06	Swing doors ID 144785
07	Sliding, telescopic and folding doors ID 143639
08	Curved sliding doors ID 135772
09	Revolving doors ID 132050
10	Actuation devices and sensors ID 142655
Smoke and heat extraction and window technology	
11	Fanlight opening systems ID 127787
12	Electric opening and locking systems ID 127785, ID 127789
13	Electrical spindle and linear drives ID 127785, ID 127789
14	Electric chain drives ID 127785, ID 127789
15	Smoke and heat extraction systems ID 127785, ID 139075
Safety technology	
16	Emergency exit systems ID 132408
17	Access control systems ID 132158
18	Panic locks ID 132848
19	Electric strikes ID 148666
20	Building management system ID 132408
Glass systems	
21	Manual sliding wall systems (MSW) ID 104377
22	Integrated all-glass systems (IGG) ID 104366



POTENTIAL APPLICATIONS OF GEZE PRODUCTS



Door technology

The functionality, superior performance and reliability of GEZE door closers are impressive. A common design across the range, the ability to use them on all common door leaf widths and weights, and the fact that they can be individually adjusted makes their selection simple. They are continually being improved and enhanced with up-to-date features. For example, the requirements of fire protection and accessibility are fulfilled with a door closer system.

Automatic door systems

GEZE automatic door systems open up a huge variety of options in door design. The latest, innovative high-performance drive technology, safety, ease of accessibility and first class universal drive design set them apart. GEZE offers complete solutions for individual requirements.

Smoke and heat extraction and window technology

GEZE smoke and heat extraction systems and ventilation technology provide complete systems solutions combining the many requirements of different types of windows. We supply a full range from energy efficient drive systems to natural ventilation and complete solutions for supplying and extracting air, also as certified SHEVs.

Safety technology

GEZE safety technology sets the standards where preventative fire protection, access control and anti-theft security in emergency exits are concerned. For each of these objectives GEZE offers tailored solutions, which combine the individual safety requirements in one intelligent system and close doors and windows in case of danger in a coordinated manner.

Building systems

In GEZE's Building Management System GEZE door, window and safety products can be integrated in to the security and control systems of the building. A central control and visualisation system monitors various automation components in the building and offers security through many different networking capabilities.

Glass systems

GEZE glass systems stand for open and transparent interior design. They can either blend discreetly into the architecture of the building or stand out as an accentuated feature. GEZE offers a wide variety of technologies for functional, reliable and aesthetic sliding wall or sliding door systems providing security with lots of design scope.

GEZE GmbH
P.O. Box 1363
71226 Leonberg
Germany

GEZE GmbH
Reinhold-Vöster-Straße 21-29
71229 Leonberg
Germany
Telefon +49 7152 203 0
Telefax +49 7152 203 310
www.geze.com

Germany
 GEZE GmbH
 Niederlassung Süd-West
 Breitwiesenstraße 8
 71229 Leonberg
 Tel. +49 7152 203 594
 Fax +49 7152 203 438
 leonberg.de@geze.com

GEZE GmbH
 Niederlassung Süd-Ost
 Parkring 17
 85748 Garching bei München
 Tel. +49 7152 203 6440
 Fax +49 7152 203 77050
 muenchen.de@geze.com

GEZE GmbH
 Niederlassung Ost
 Albert-Einstein-Ring 5
 14532 Kleinmachnow bei Berlin
 Tel. +49 7152 203 6840
 Fax +49 7152 203 76849
 berlin.de@geze.com

GEZE GmbH
 Niederlassung Mitte/Luxemburg
 Adenauerallee 2
 61440 Oberursel (b. Frankfurt)
 Tel. +49 7152 203 6888
 Fax +49 7152 203 6891
 frankfurt.de@geze.com

GEZE GmbH
 Niederlassung West
 Heltorfer Straße 12
 40472 Düsseldorf
 Tel. +49 7152 203 6770
 Fax +49 7152 203 76770
 duesseldorf.de@geze.com

GEZE GmbH
 Niederlassung Nord
 Albert-Schweitzer-Ring 24-26 (3. OG)
 22045 Hamburg
 Tel. +49 7152 203 6602
 Fax +49 7152 203 76608
 hamburg.de@geze.com

GEZE Service GmbH
 Niederlassung Süd-West
 Reinhold-Vöster-Straße 25
 71229 Leonberg
 Tel. +49 1802 923392
 Fax +49 7152 9233 359
 service-leonberg.de@geze.com

GEZE Service GmbH
 Niederlassung Süd
 Parkring 17
 85748 Garching bei München
 Tel. +49 1802 923392
 Fax +49 7152 9233 859
 service-muenchen.de@geze.com

GEZE Service GmbH
 Niederlassung Mitte
 Oberurseler Str. 69
 61440 Oberursel
 Tel. +49 1802 923392
 Fax +49 7152 9233 659
 service-oberursel.de@geze.com

GEZE Service GmbH
 Niederlassung West
 Heltorfer Straße 12
 40472 Düsseldorf
 Tel. +49 1802 923392
 Fax +49 7152 9233 559
 service-duesseldorf.de@geze.com

GEZE Service GmbH
 Niederlassung Ost
 Albert-Einstein-Ring 5
 14532 Kleinmachnow bei Berlin
 Tel. +49 1802 923392
 Fax +49 7152 9233 759
 service-berlin.de@geze.com

GEZE Service GmbH
 Niederlassung Nord
 Albert-Schweitzer-Ring 24-26 (3. OG)
 22045 Hamburg
 Tel. +49 1802 923392
 Fax +49 7152 9233 459
 service-hamburg.de@geze.com

Austria
 GEZE Austria
 Wiener Bundesstrasse 85
 A-5300 Hallwang
 Tel: +43 6225 87180
 Fax: +43 6225 87180 299
 austria.at@geze.com

**Baltic States –
 Lithuania / Latvia / Estonia**
 Tel. +371 678960 35
 baltic-states@geze.com

Benelux
 GEZE Benelux B.V.
 Industrieterrein Kapelbeemd
 Steenoven 36
 5626 DK Eindhoven
 Tel. +31 4026290 80
 Fax +31 4026290 85
 benelux.nl@geze.com

Bulgaria
 GEZE Bulgaria - Trade
 Representative Office
 Nickolay Haitov 34 str., fl. 1
 1172 Sofia
 Tel. +359 247043 73
 Fax +359 247062 62
 office-bulgaria@geze.com

China
 GEZE Industries (Tianjin) Co., Ltd.
 Shuangchenzhong Road
 Beichen Economic Development
 Area (BEDA)
 Tianjin 300400, P.R. China
 Tel. +86 22 26973995
 Fax +86 22 26972702
 chinasales@geze.com.cn

GEZE Industries (Tianjin) Co., Ltd.
 Branch Office Shanghai
 Jia Little Exhibition Center
 Room C 2-102
 Shenzhuan Rd. 6000
 201619 Shanghai, P.R. China
 Tel. +86 21 52340960
 Fax +86 21 64472007
 chinasales@geze.com.cn

GEZE Industries (Tianjin) Co., Ltd.
 Branch Office Guangzhou
 Room 17 C 3
 Everbright Bank Building, No.689
 Tian He Bei Road
 510630 Guangzhou, P.R. China
 Tel. +86 20 38731842
 Fax +86 20 38731834
 chinasales@geze.com.cn

GEZE Industries (Tianjin) Co., Ltd
 Branch Office Beijing
 Room 04-05, 7th Floor
 Red Sandalwood Plaza
 No. 27 Jianguo Road
 Chaoyang District
 100024 Beijing, P.R.China
 Tel. +86 10 85756009
 Fax +86 10 85758079
 chinasales@geze.com.cn

France
 GEZE France S.A.R.L.
 ZAC de l'Orme Rond
 RN 19
 77170 Servon
 Tel. +33 1 606260 70
 Fax +33 1 606260 71
 france.fr@geze.com

Hungary
 GEZE Hungary Kft.
 Hungary-2051 Biatorbágy
 Vendel Park
 Huber u. 1.
 Tel. +36 23532 735
 Fax +36 23532 738
 office-hungary@geze.com

Iberia
 GEZE Iberia S.R.L.
 C/ Andorra 24
 08830 Sant Boi de Llobregat
 (Barcelona)
 Tel. +34 902194 036
 Fax +34 902194 035
 info@geze.es

India
 GEZE India Private Ltd.
 MF 2 & 3, Guindy Industrial Estate
 Ekkattuthangal
 Chennai 600 097
 Tamilnadu
 Tel. +91 44 406169 00
 Fax +91 44 406169 01
 office-india@geze.com

Italy
 GEZE Italia S.r.l
 Sede di Vimercate
 Via Fiorbellina 20
 20871 Vimercate (MB)
 Tel. +39 0399530401
 Fax+39 039 9530459/419
 italia.it@geze.com

Sede di Roma
 Via Lucrezia Romana, 91
 00178 Roma
 Tel. +39 06 726531 1
 Fax +39 06 726531 36
 roma@geze.biz

Poland
 GEZE Polska Sp.z o.o.
 ul. Marywilska 24
 03-228 Warszawa
 Tel. +48 224 404 440
 Fax +48 224 404 400
 geze.pl@geze.com

Romania
 GEZE Romania S.R.L.
 IRIDE Business Park,
 Str. Dimitrie Pompeiu nr. 9-9a,
 Building 10, Level 2, Sector 2,
 020335 Bucharest
 Tel.: +40 212507 750
 Fax: +40 316201 258
 office-romania@geze.com

Russia
 OOO GEZE RUS
 Gamsnovskiy Per. 2
 115191 Moscow
 Tel. +7 495 93306 59
 Fax +7 495 93306 74
 office-russia@geze.com

Scandinavia – Sweden
 GEZE Scandinavia AB
 Mallslingan 10
 Box 7060
 18711 Täby, Sweden
 Tel. +46 87323 400
 Fax +46 87323 499
 sverige.se@geze.com

Scandinavia – Norway
 GEZE Scandinavia AB avd. Norge
 Industriveien 34 B
 2073 Dal
 Tel. +47 63957 200
 Fax +47 63957 173
 norge.se@geze.com

Scandinavia – Denmark
 GEZE Danmark
 Branch office of GEZE Scandinavia AB
 Mårkærvej 13 J-K
 2630 Taastrup
 Tel. +45 463233 24
 Fax +45 463233 26
 danmark.se@geze.com

Singapore
 GEZE (Asia Pacific) Pte. Ltd.
 21 Bukit Batok Crescent
 #23-75 Wcega Tower
 Singapore 658065
 Tel: +65 6846 1338
 Fax: +65 6846 9353
 gezesea@geze.com.sg

South Africa
 Geze South Africa (Pty) Ltd.
 GEZE, Building 3, 1019 Morkels Close
 Midrand 1685
 Tel: + 87 94337 88
 Fax: + 86 66137 52
 info@gezesa.co.za

Switzerland
 GEZE Schweiz AG
 Zeliglimatte 1A
 6260 Reiden
 Tel. +41 62 28554 00
 Fax +41 62 28554 01
 schweiz.ch@geze.com

Turkey
 GEZE Kapı ve Pencere Sistemleri
 San. ve Tic. Ltd. Sti.
 İstanbul Anadolu Yakası Organize
 Sanayi Bölgesi
 Gazi Bulvarı Caddesi 8.Sokak No:8
 Tuzla-İstanbul
 Tel. + 90 216 45543 15
 Fax + 90 216 45582 15
 office-turkey@geze.com

Ukraine
 LLC GEZE Ukraine
 ul. Viskoznaya, 17,
 Building 93-B, Office 12
 02660 Kiev
 Tel./Fax +38 445012225
 office-ukraine@geze.com

United Arab Emirates/GCC
 GEZE Middle East
 P.O. Box 17903
 Jebel Ali Free Zone
 Dubai
 Tel. +971 48833 112
 Fax +971 48833 240
 gezeme@geze.com

United Kingdom
 GEZE UK Ltd.
 Blenheim Way
 Fradley Park
 Lichfield
 Staffordshire WS13 8SY
 Tel. +44 15434430 00
 Fax +44 15434430 01
 info.uk@geze.com

GEZE REPRESENTATIVE