



**GEZE PATCH FITTINGS**  
CLAMP FITTING SYSTEMS FOR ALL-GLASS INSTALLATIONS



**CONTENTS**

Elegant solutions - versatile and easy to install	<b>4</b>
Overview door system types	<b>5</b>
Bottom corner patch GEZE PT 10	<b>7</b>
Floor bearing DL-FL, screw-on floor bearing DL-RD	<b>8</b>
Top corner patch GEZE PT 20	<b>9</b>
Top pivot bearing GEZE PT 24 and GEZE PT 21	<b>10</b>
Fanlight fitting with pivot pin GEZE PT 30	<b>11</b>
Patch for fanlight and side panel GEZE PT 40	<b>12</b>
Patch for fanlight and side panel with reinforcement GEZE PT 41L / PT 41R	<b>13</b>
Centre lock GEZE US 50-FL and GEZE US 50-RD	<b>14</b>
Corner lock GEZE PL 50-FL and GEZE PL 50-RD	<b>15</b>
Floor lock with round bolt GEZE PL 55	<b>16</b>
Floor lock, rounded GEZE PL 60	<b>17</b>
Double fanlight fitting with reinforcement GEZE PT 51	<b>18</b>
Double strike box GEZE GK 20	<b>19</b>
Strike box GEZE GK 50	<b>20</b>
Connecting fitting with buffer stop GEZE PT 62	<b>21</b>
Connecting fitting GEZE PT 63	<b>22</b>
Connecting fitting GEZE PT 70	<b>23</b>
Double fanlight fitting GEZE PT 75	<b>24</b>
Connecting fitting GEZE PT 80	<b>25</b>
Double fanlight fitting GEZE PT 81	<b>26</b>
Connecting fitting for wall attachment GEZE PT 84	<b>27</b>
Connecting fitting for wall attachment GEZE PT 90	<b>28</b>
Fixed panel clamp fitting GEZE FP	<b>29</b>
GEZE products in combination with Patch Fittings	<b>30</b>
Floor spring GEZE TS 500 NV and TS 500 N EN3	<b>31</b>
Floor spring GEZE TS 550 NV	<b>32</b>

# GEZE PATCH FITTINGS

## Elegant solutions – versatile and easy to install

GEZE Patch Fittings are versatile clamp fittings for interior and exterior all-glass installations. They distinguish themselves by their timeless elegant and unobtrusive design. All visible parts are made of anodised aluminium or stainless steel with the finest structures on flat surfaces.

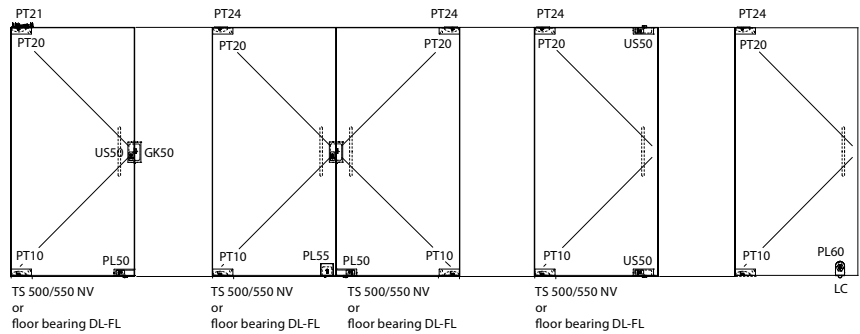
### RANGE OF APPLICATION

For exterior installations	•
For interior installations	•
For double-action doors	•
For fixed partition walls and wall coverings	•
Door leaf weight	max. 100 kg
Door leaf width	max. 1000 mm
Door leaf height	max. 2800 mm
Glass thickness	Toughened safety glass (8) / 10 / 12 mm

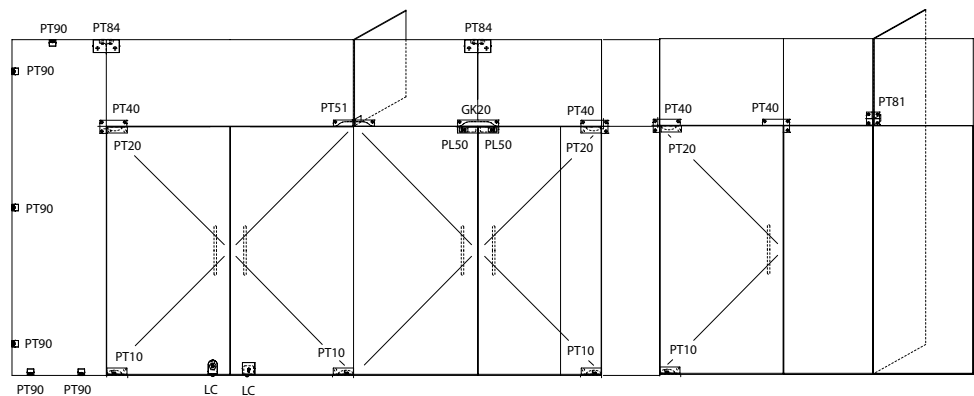
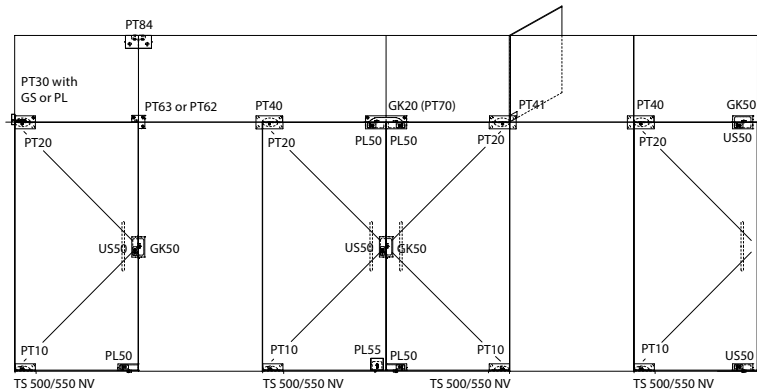
• = Patch Fittings can be used

### OVERVIEW

#### without fanlight

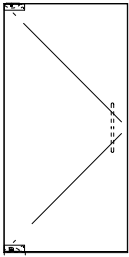


#### with fanlight

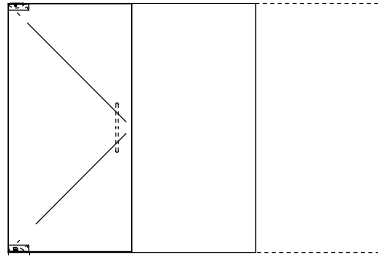


**OVERVIEW DOOR SYSTEMS (WITHOUT FANLIGHT)**

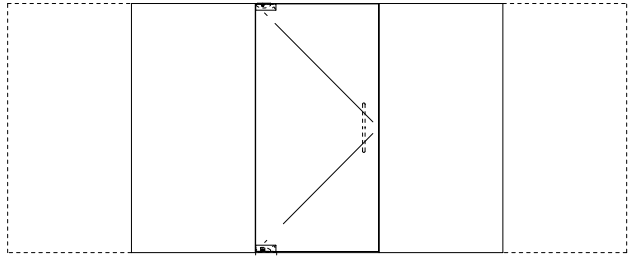
**Type 1**



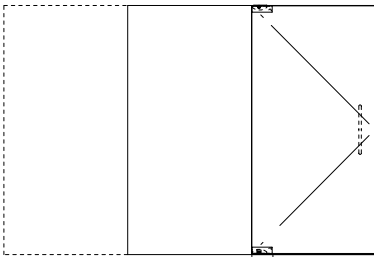
**Type 2**



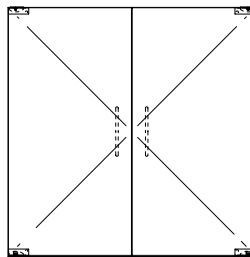
**Type 4**



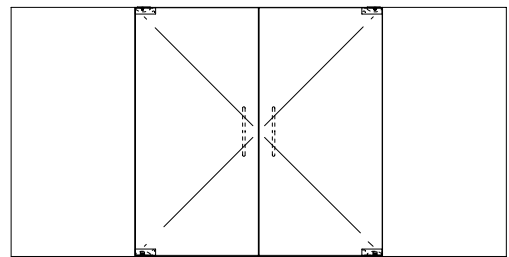
**Type 3**



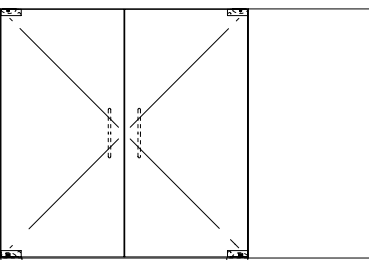
**Type 14**



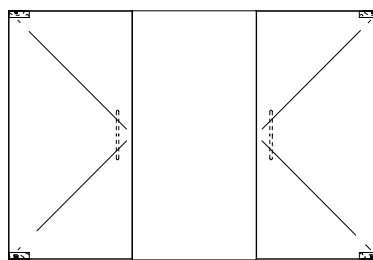
**Type 17**



**Type 15**

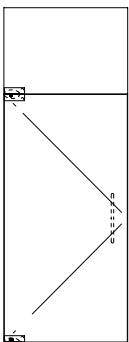


**Type 16**

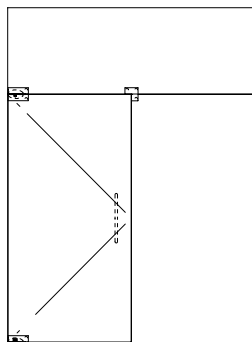


**OVERVIEW DOOR SYSTEMS (WITH FANLIGHT)**

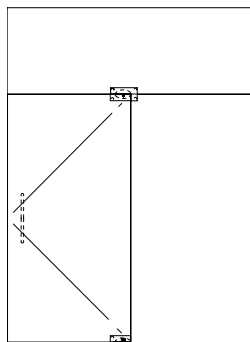
**Type 5**



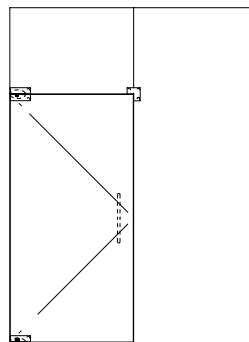
**Type 6**



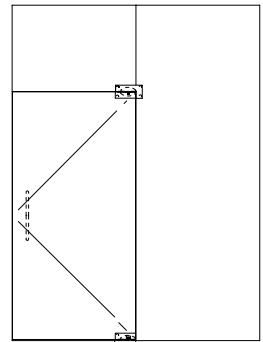
**Type 7**



**Type 8**

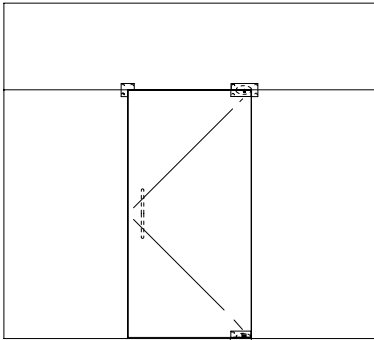


**Type 9**

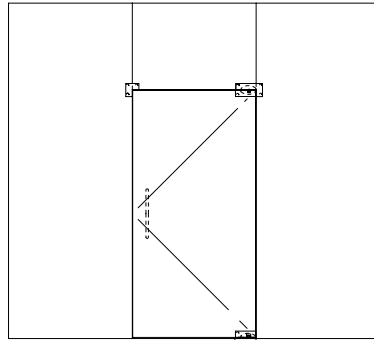


**OVERVIEW DOOR SYSTEMS (WITH FANLIGHT)**

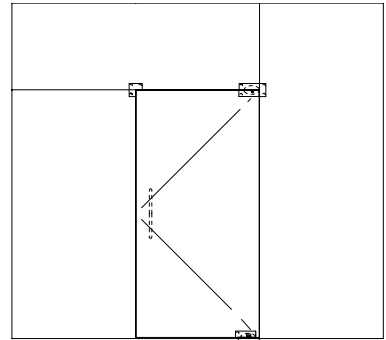
**Type 10**



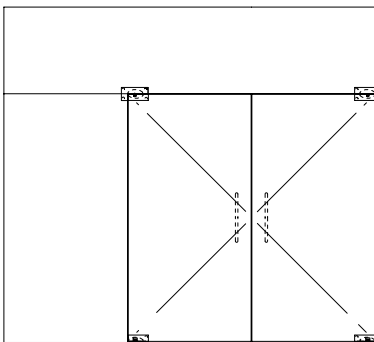
**Type 11**



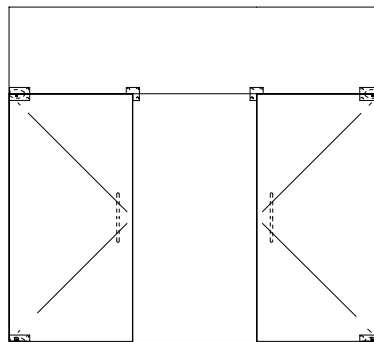
**Type 12**



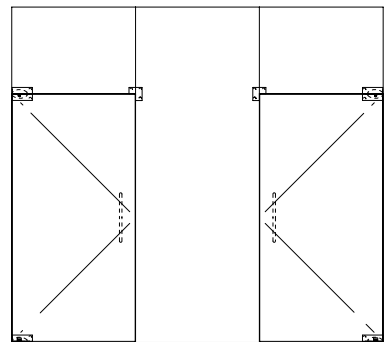
**Type 19**



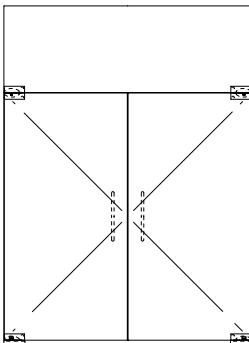
**Type 20**



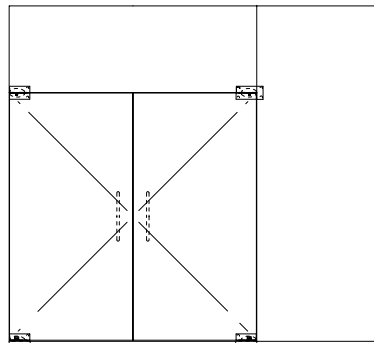
**Type 20a**



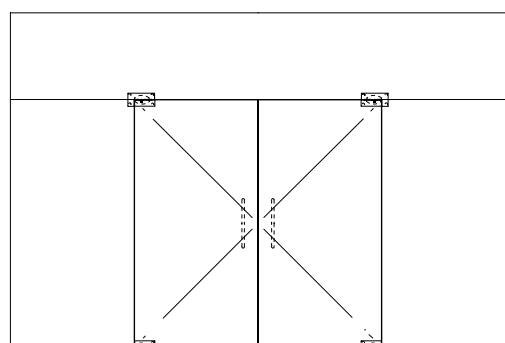
**Type 18**



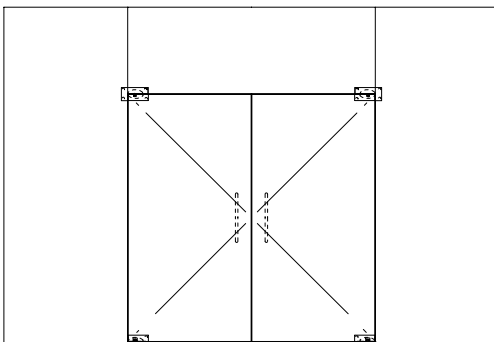
**Type 21**



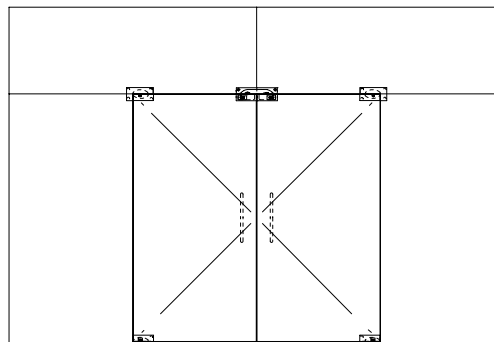
**Type 22**



**Type 23**



**Type 24**



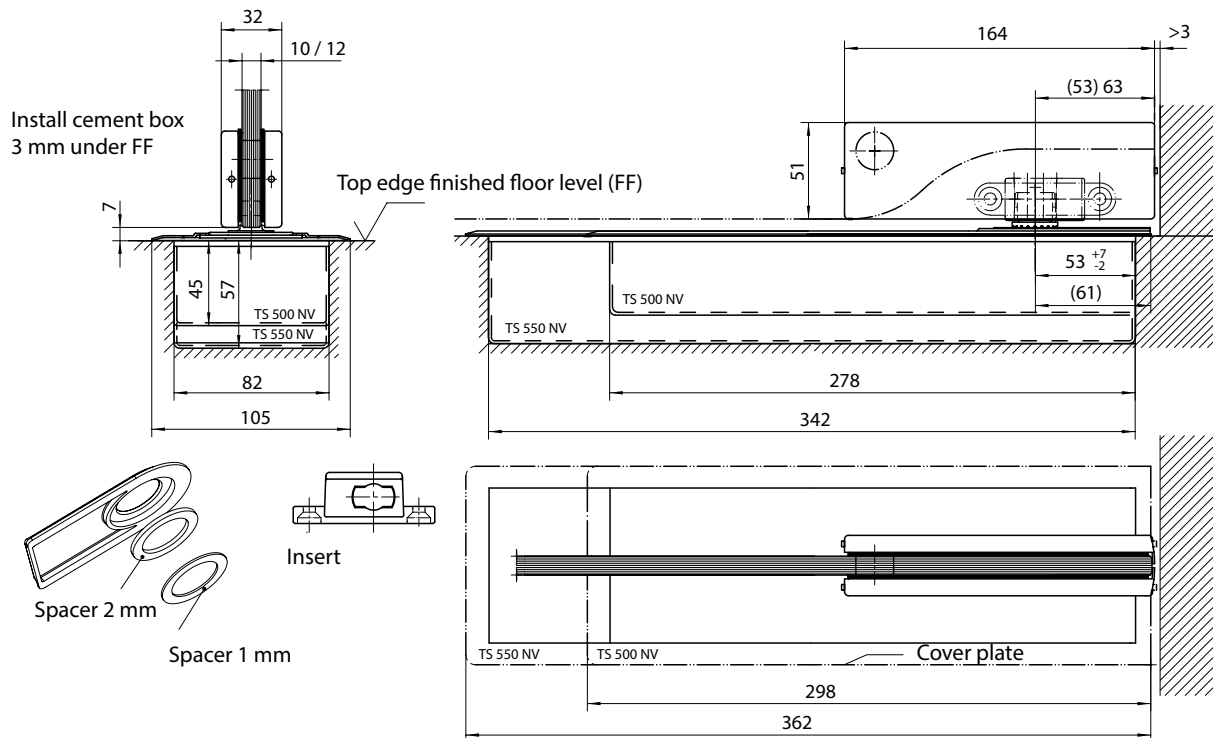
**Bottom corner patch GEZE PT 10**

- Connection to floor spring
- Surface made of anodised aluminium, stainless steel satin or polished

**GEZE PT 10**



**Drawing no. 91905-1-0100**



Glass preparation, see drawing no. 91905-9-0950

**ORDER INFORMATION**

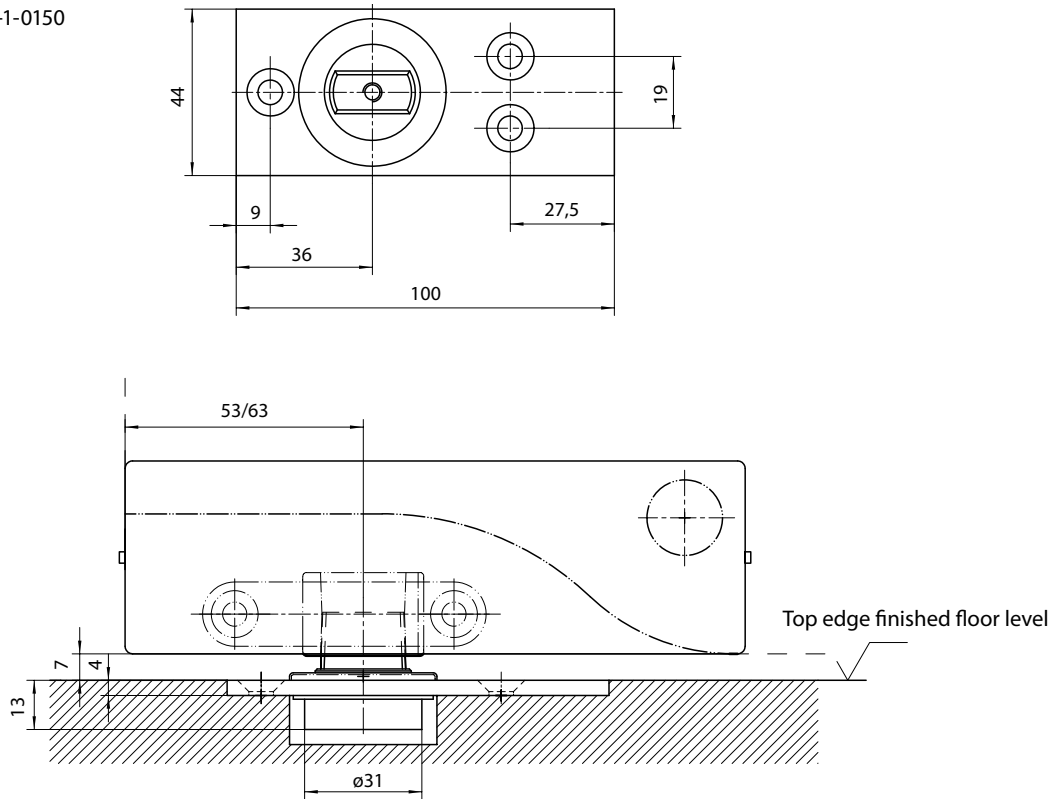
Description	Version	ID no.
<b>Bottom corner patch GEZE PT 10</b>	stainless steel satin	111458
	stainless steel polished	119869
	anodised aluminium EV1	135070
Floor bearing DL-FL	zinc-plated steel	135393
Screw-on floor bearing DL-RD	zinc-plated steel	135555
Spacer set for use with TS 500/550 NV	plastic	135557
Additional shim IL 10/20/30 for 8 mm glass		135077

# GEZE PATCH FITTINGS

## Floor bearing DL-FL

- For use with GEZE PT 10
- Door leaf weight max. 100 kg

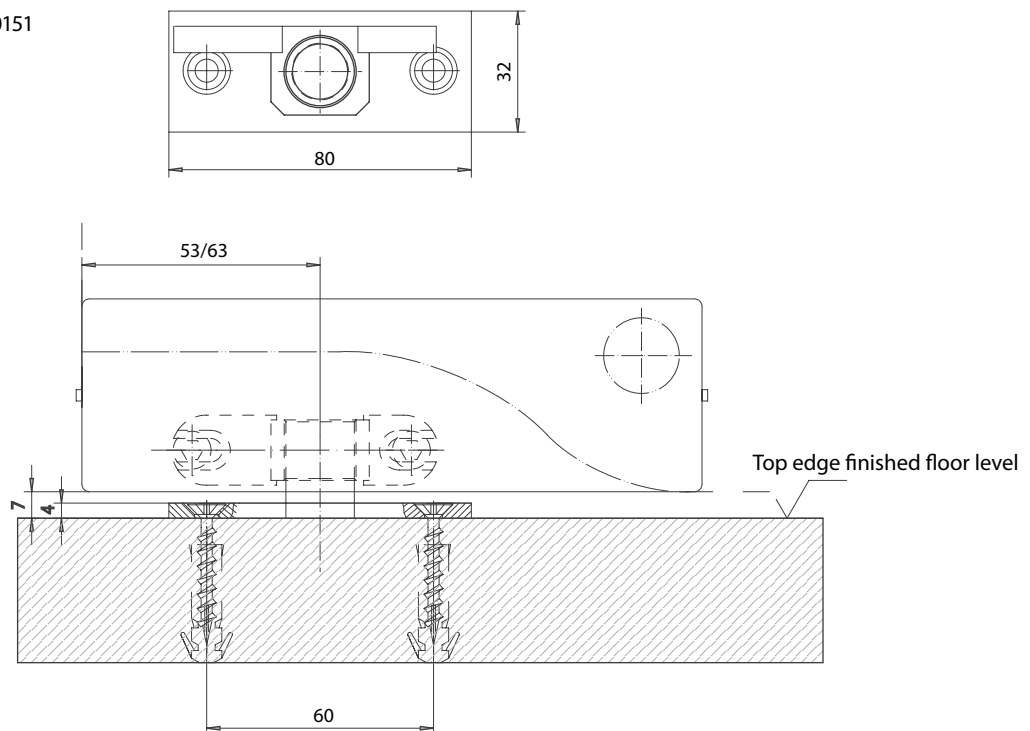
Drawing no. 91905-1-0150



## Screw-on floor bearing DL-RD

- For use with GEZE PT 10
- Door weight max. 80 kg

Drawing no. 91905-1-0151





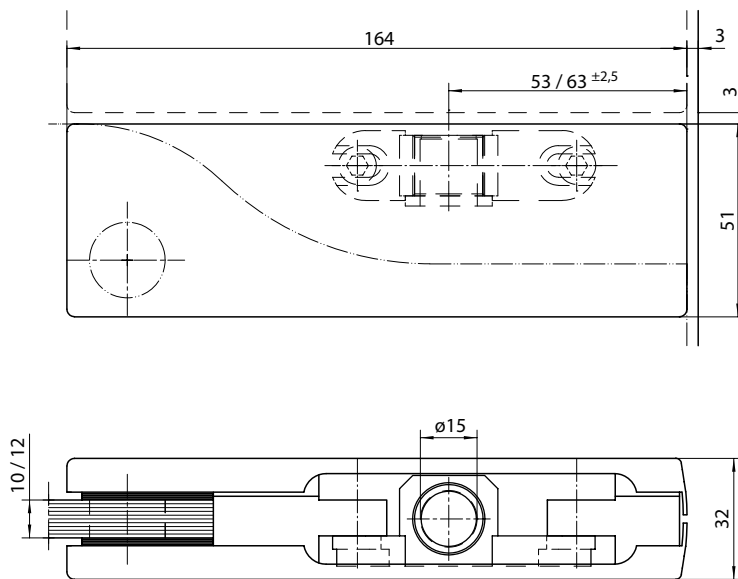
**Top corner patch GEZE PT 20**

- Connection to PT 24 (upper pivot point) or TP 30 and PT 40
- Surface made of anodised aluminium, stainless steel satin or polished

**GEZE PT 20**



**Drawing no. 91905-1-0101**



Glass preparation, see drawing no. 91905-9-0950

**ORDER INFORMATION**

Description	Version	ID no.
Top corner patch GEZE PT 20	stainless steel satin	111459
	stainless steel polished	119870
	anodised aluminium EV1	135081
Additional shim IL 10/20/30 for 8 mm glass		135077

# GEZE PATCH FITTINGS

### Top pivot bearing GEZE PT 24 and GEZE PT 21

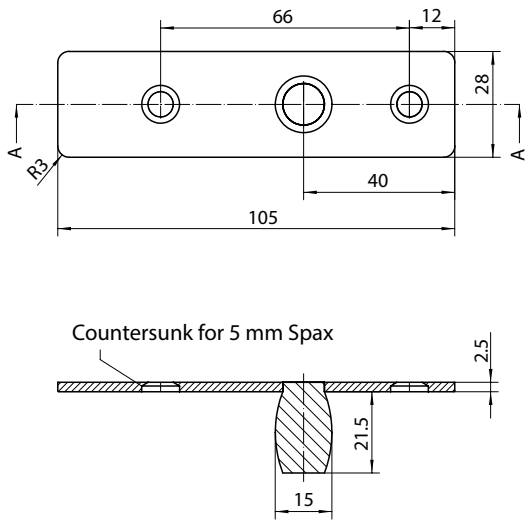
- Top pivot point with fixing plate for doors without fanlight GEZE PT 24
- Top pivot point (pivot top TS 136/O Stop 360 V) for doors without fanlight GEZE PT 21

#### GEZE PT 24



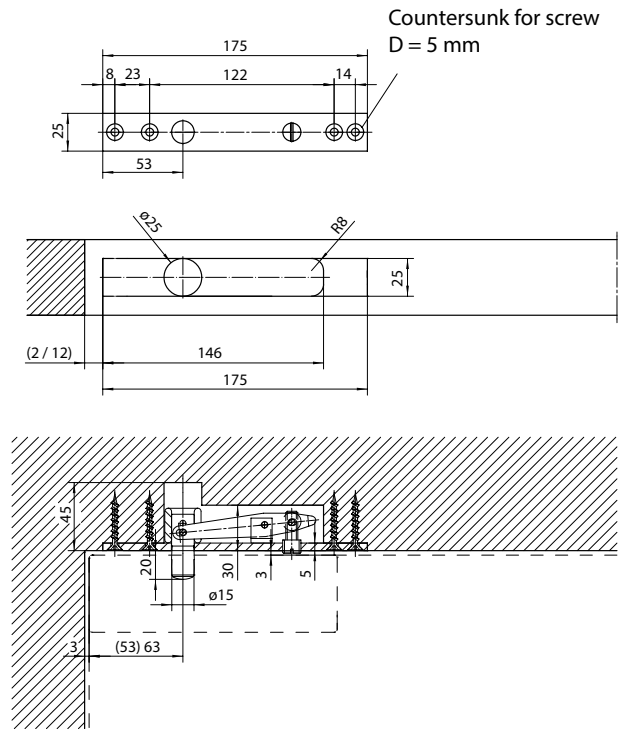
#### GEZE PT 24

Drawing no. 91905-1-0103



#### GEZE PT 21

Drawing no. 91905-1-0102



### ORDER INFORMATION

Description	Version	ID no.
Top pivot bearing GEZE PT 24		111460
Top pivot bearing GEZE PT 21	zinc-plated steel	010739

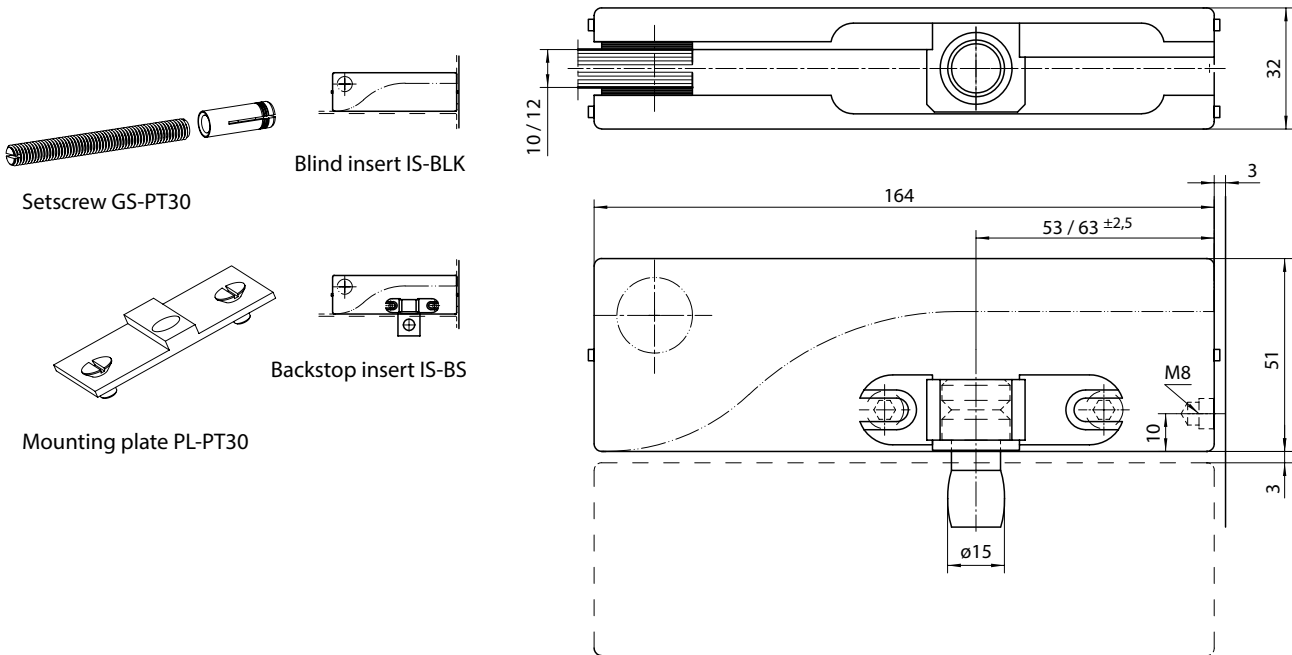
**Fanlight fitting with pivot pin GEZE PT 30**

- Fanlight fitting for wall attachment
- Surface made of anodised aluminium, stainless steel satin or polished

**GEZE PT 30**



Drawing no. 91905-1-0104



Glass preparation, see drawing no. 91905-9-0950

**ORDER INFORMATION**

Description	Version	ID no.
<b>Fanlight fitting with pivot pin GEZE PT 30</b>	stainless steel satin	111461
	stainless steel polished	119881
	anodised aluminium EV1	135082
Blind insert IS-BLK	stainless steel satin	135349
	stainless steel polished	135106
	anodised aluminium EV1	135350
Backstop insert IS-BS	steel	135105
Setscrew GS-PT30	steel	135103
Mounting plate PL-PT30	stainless steel	135104
Additional shim IL 10/20/30 for 8 mm glass		135077

# GEZE PATCH FITTINGS

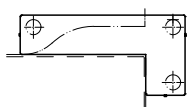
## Patch for fanlight and side panel GEZE PT 40

- Top pivot point (with connection to the fanlight and lateral fixed panel)
- Surface made of anodised aluminium, stainless steel satin or polished

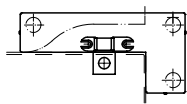
### GEZE PT 40



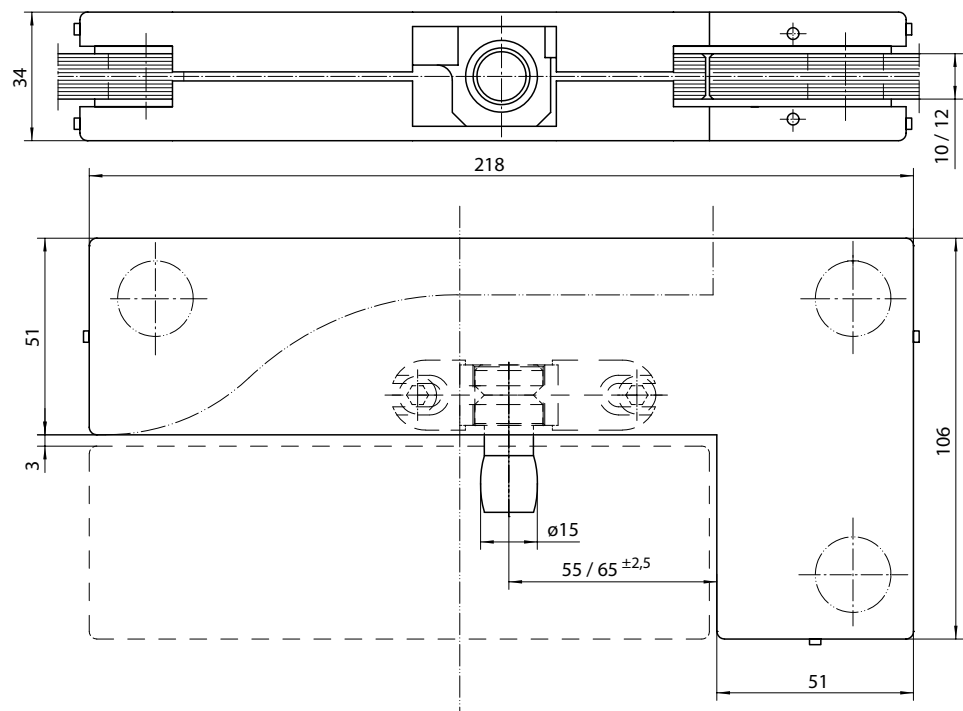
Drawing no. 91905-1-0106



Blind insert IS-BLK



Backstop insert IS-BS



Glass preparation, see drawing no. 91905-9-0951

### ORDER INFORMATION

Description	Version	ID no.
Patch for fanlight and side panel GEZE PT 40	stainless steel satin	111462
	stainless steel polished	119882
	anodised aluminium EV1	135083
Blind insert IS-BLK	stainless steel satin	135349
	stainless steel polished	135106
	anodised aluminium EV1	135350
Backstop insert IS-BS	steel	135105
Additional shim IL 40 for 8 mm glass		135078

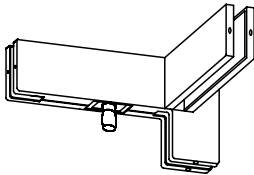
**Patch for fanlight and side panel with reinforcement GEZE PT 41L / PT 41R**

- Patch for fanlight and side panel / reinforcement left or right
- Surface made of anodised aluminium, stainless steel satin or polished

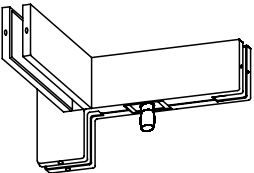
**GEZE PT 41L / PT 41R**



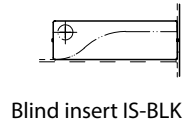
**Drawing no. 91905-1-0107**



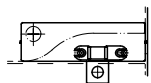
GEZE PT 41L with reinforcement left



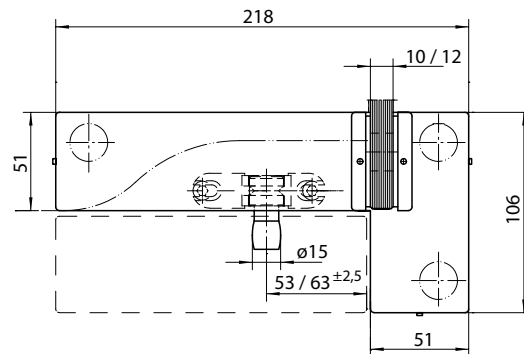
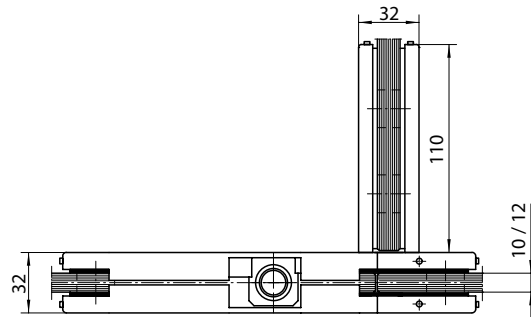
GEZE PT 41R with reinforcement right



Blind insert IS-BLK



Backstop insert IS-BS



Glass preparation, see drawing no. 91905-9-0952

**ORDER INFORMATION**

Description	Version	ID no.
Patch for fanlight and side panel with reinforcement left GEZE PT 41L	stainless steel satin	124158
	stainless steel polished	124159
	anodised aluminium EV1	135085
Patch for fanlight and side panel with reinforcement right GEZE PT 41R	stainless steel satin	124160
	stainless steel polished	124161
	anodised aluminium EV1	135084
Blind insert IS-BLK	stainless steel satin	135349
	stainless steel polished	135106
	anodised aluminium EV1	135350
Backstop insert IS-BS	steel	135105
Additional shim IL 41 for 8 mm glass		135079

# GEZE PATCH FITTINGS

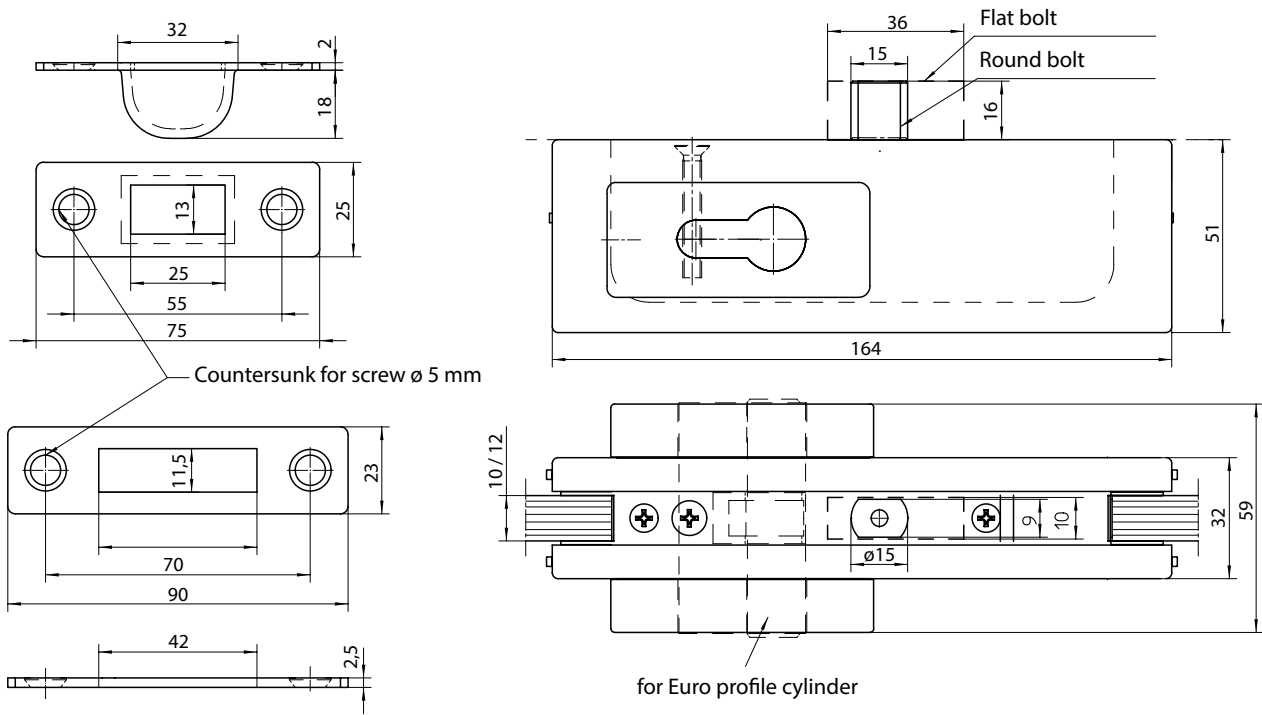
## Centre lock GEZE US 50-FL and GEZE US 50-RD

- Lock (door leaf centre) without cylinder, with flat bolt (version US 50-FL) or with round bolt (version US 50-RD)
- Surface made of anodised aluminium, stainless steel satin or polished

### GEZE US 50



Drawing no. 91905-1-0122



Glass preparation, see drawing no. 91905-9-0962

## ORDER INFORMATION

Description	Version	ID no.
Centre lock with flat bolt GEZE US 50-FL	stainless steel satin	111464
	stainless steel polished	119884
	anodised aluminium EV1	135101
Centre lock with round bolt GEZE US 50-RD	stainless steel satin	124152
	stainless steel polished	124153
	anodised aluminium EV1	135102
Latch catch LC	surface stainless steel brushed	124156
	surface stainless steel polished	124157
Strike plate SB	stainless steel satin	124942
	stainless steel polished	124943
Additional shim IL 50 for 8 mm glass		135149

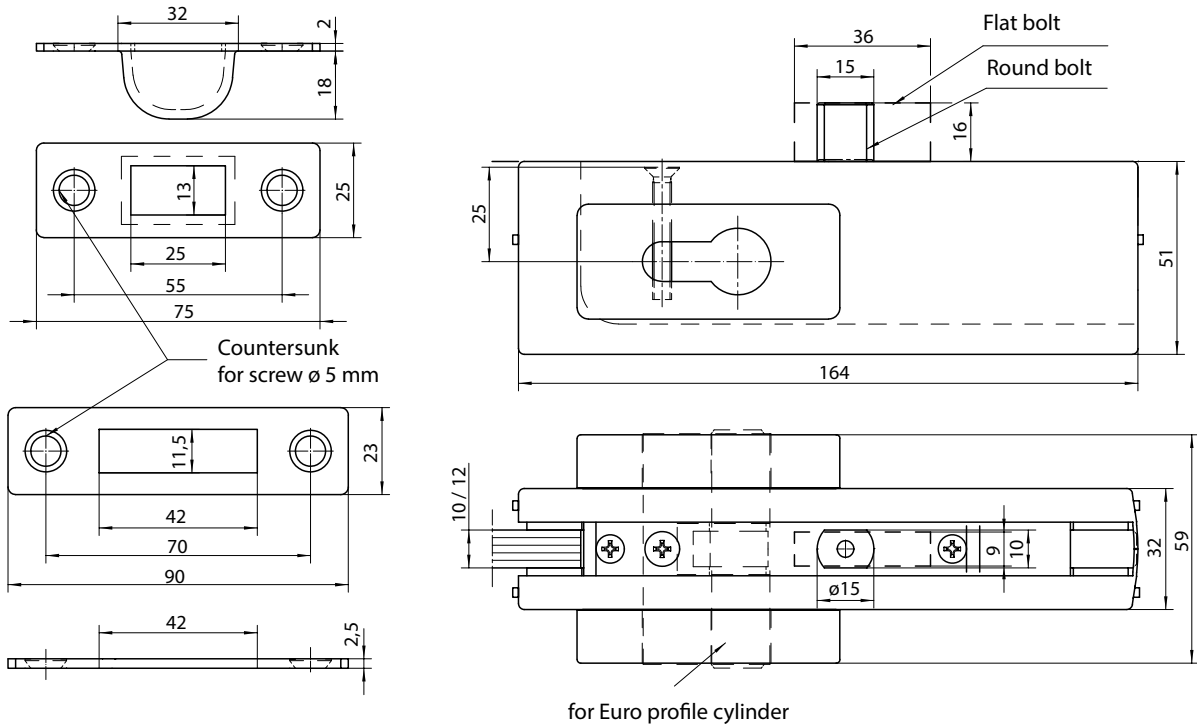
**Corner lock GEZE PL 50-FL and GEZE PL 50-RD**

- Corner lock without cylinder, with flat bolt (version PL 50-FL) or with round bolt (version PL 50-RD)
- Surface made of anodised aluminium, stainless steel satin or polished

**GEZE PL 50**



Drawing no. 91905-1-0117



Glass preparation, see drawing no. 91905-9-0963

**ORDER INFORMATION**

Description	Version	ID no.
Corner lock with flat bolt GEZE PL 50-FL	stainless steel satin	111465
	stainless steel polished	119885
	anodised aluminium EV1	135095
Corner lock with round bolt GEZE PL 50-RD	stainless steel satin	124154
	stainless steel polished	124155
	anodised aluminium EV1	135096
Latch catch LC	surface stainless steel brushed	124156
	surface stainless steel polished	124157
Strike plate SB	stainless steel satin	124942
	stainless steel polished	124943
Additional shim IG PL 50 for 8 mm glass		135149

# GEZE PATCH FITTINGS

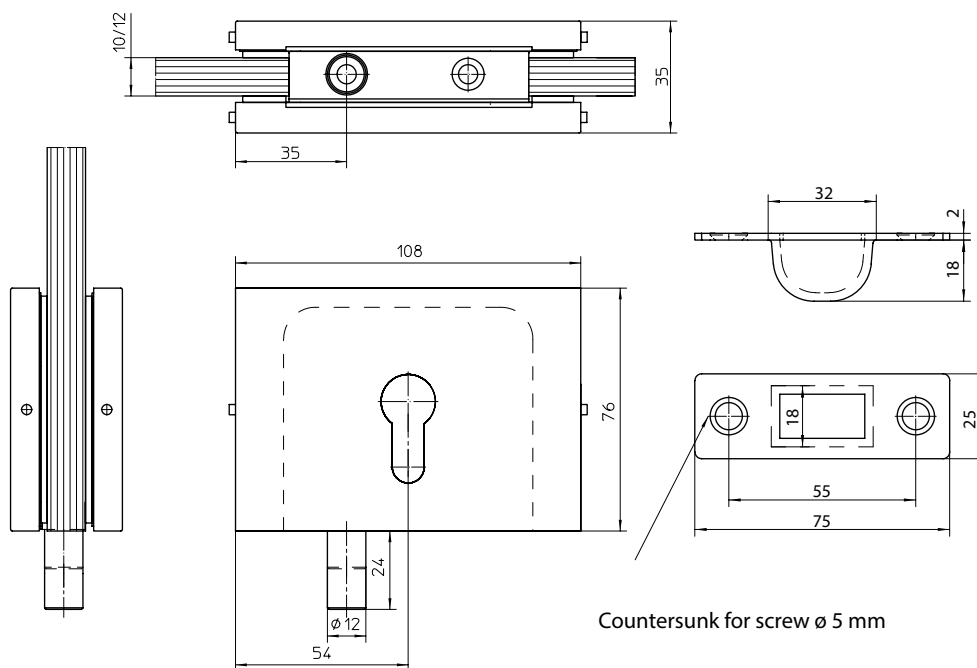
## Floor lock with round bolt GEZE PL 55

- Floor lock with round bolt
- Surface made of anodised aluminium, stainless steel satin or polished

### GEZE PL 55



Drawing no. 91905-1-0118



Glass preparation, see drawing no. 91905-9-0964

## ORDER INFORMATION

Description	Version	ID no.
<b>Floor lock with round bolt GEZE PL 55</b>	stainless steel satin	127829
	stainless steel polished	127827
	anodised aluminium EV1	135097
Latch catch LC	surface stainless steel satin	124156
	surface stainless steel polished	124157
Additional shim IL 55 for 8 mm glass		135151



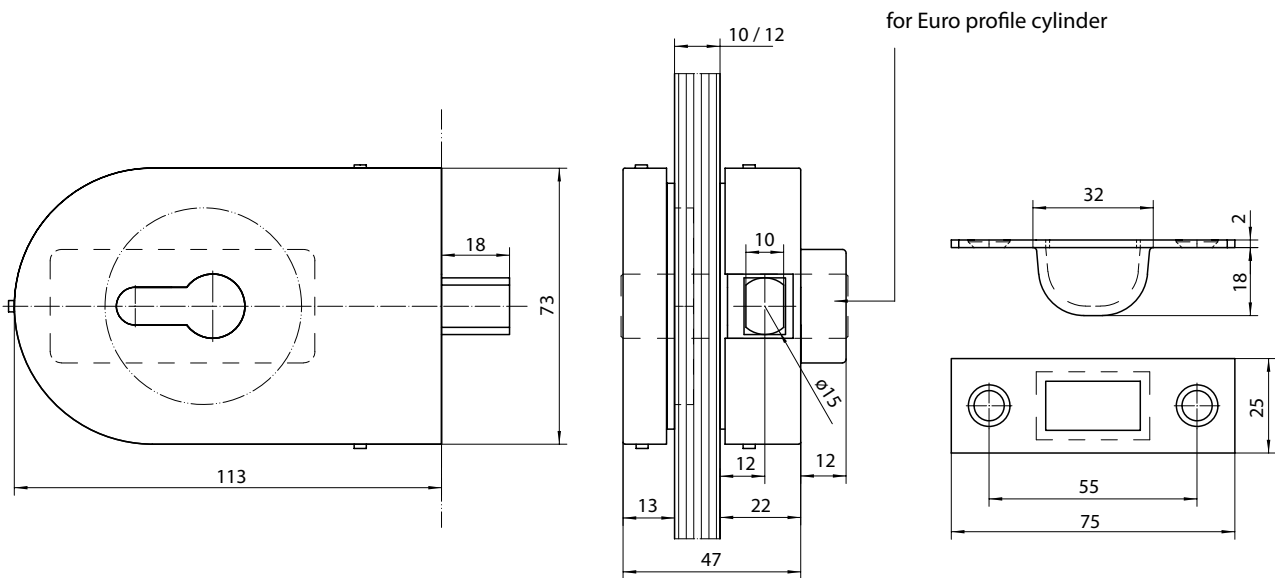
**Floor lock GEZE PL 60**

- Floor lock, rounded, without cylinder
- Surface made of anodised aluminium, stainless steel satin or polished

**GEZE PL 60**



Drawing no. 91905-1-0119



Glass preparation, see drawing no. 91905-9-965

**ORDER INFORMATION**

Description	Version	ID no.
Floor lock, rounded GEZE PL 60	stainless steel satin	127830
	stainless steel polished	127851
	anodised aluminium EV1	135098
Latch catch LC	surface stainless steel brushed	124156
	surface stainless steel polished	124157
Additional shim IL 60 for 8 mm glass		135152

# GEZE PATCH FITTINGS

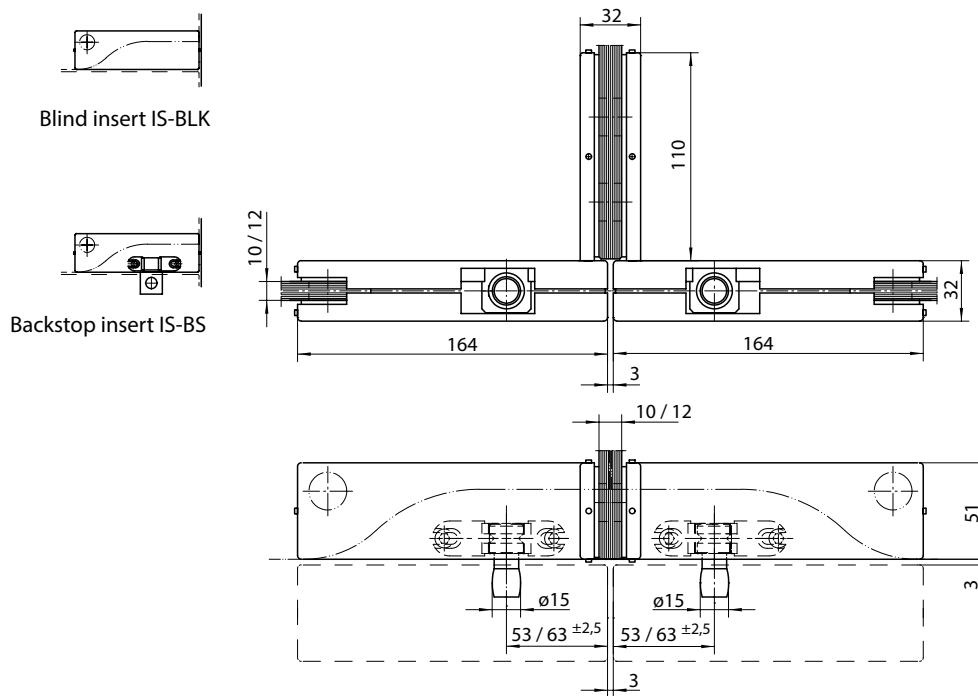
## Double fanlight fitting with reinforcement GEZE PT 51

- Double fanlight fitting with two pivot pins (D=15 mm) and reinforcement on one side
- Surface made of anodised aluminium, stainless steel satin or polished

### GEZE PT 51



Drawing no. 91905-1-0108



Glass preparation, see drawing no. 91905-9-0953

### ORDER INFORMATION

Description	Version	ID no.
Double fanlight fitting with reinforcement GEZE PT 51	stainless steel satin	127279
	stainless steel polished	127280
	anodised aluminium EV1	135086
Blind insert IS-BLK	stainless steel satin	135349
	stainless steel polished EV1	135106
	anodised aluminium	135350
Backstop insert IS-BS	steel	135105
Additional shim IL 51 for 8 mm glass		135080

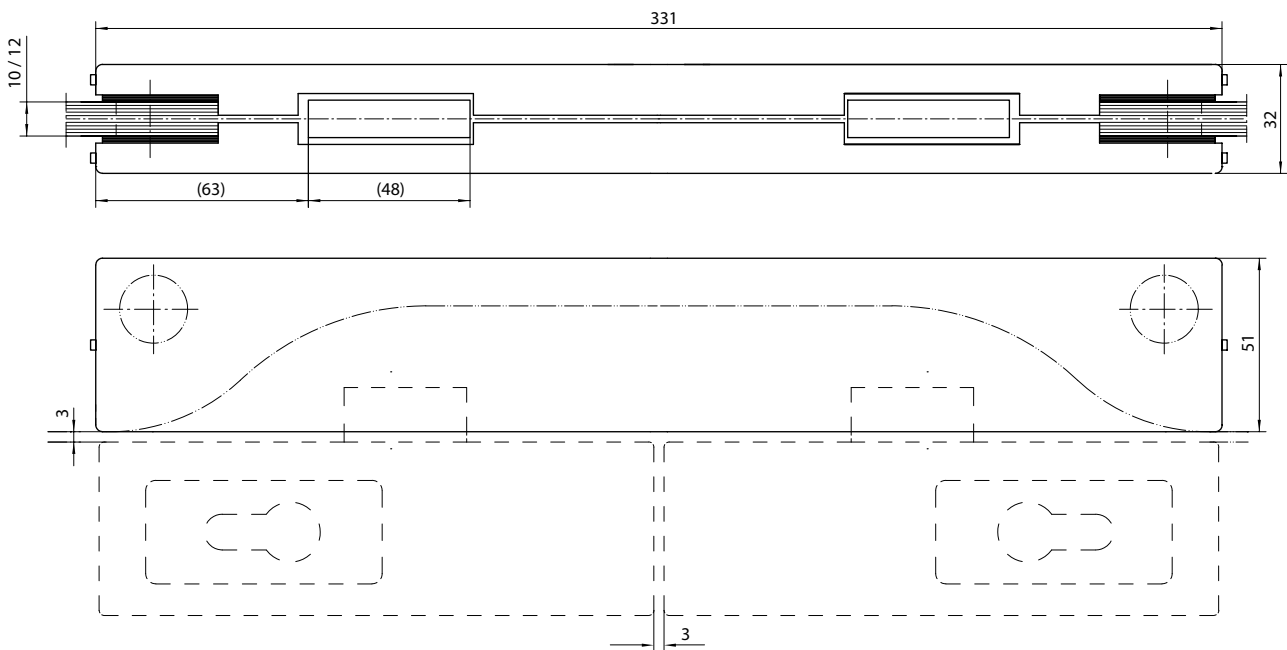
**Double strike box GEZE GK 20**

- Double strike box
- Surface made of anodised aluminium, stainless steel satin or polished

**GEZE GK 20**



Drawing no. 91905-1-0120



Glass preparation, see drawing no. 91905-9-0957

**ORDER INFORMATION**

Description	Version	ID no.
<b>Double strike box GEZE GK 20</b>	stainless steel satin	111467
	stainless steel polished	119886
	anodised aluminium EV1	135099
Additional shim IL 75/20 for 8 mm glass		135144

# GEZE PATCH FITTINGS

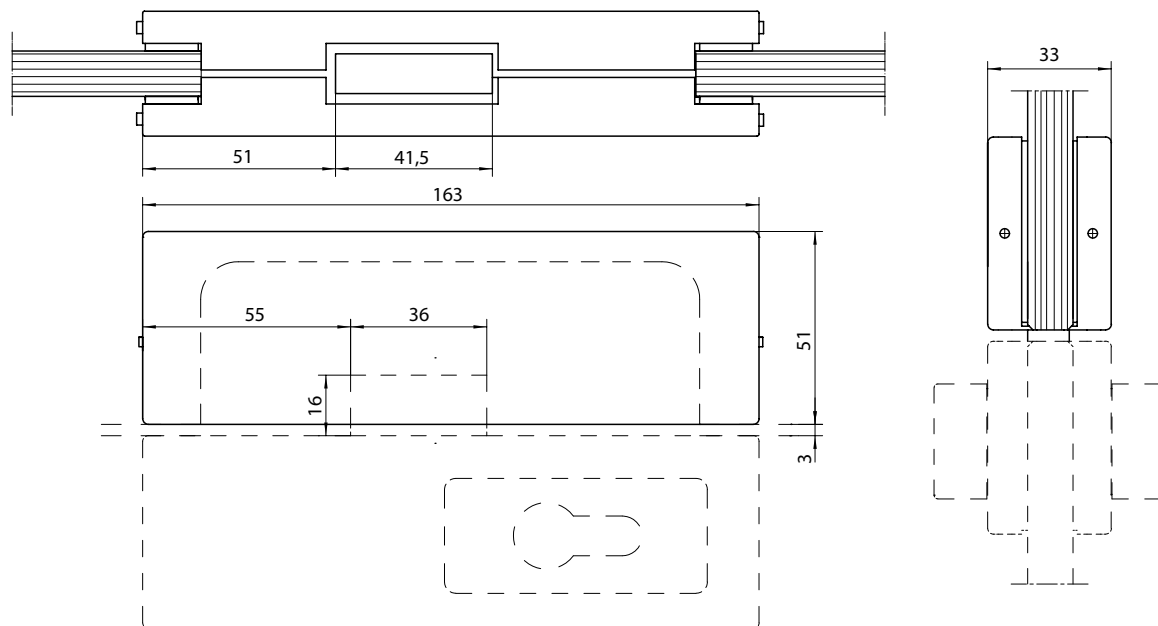
## Strike box GEZE GK 50

- Strike box
- Surface made of anodised aluminium, stainless steel satin or polished

### GEZE GK 50



Drawing no. 91905-1-0121



Glass preparation, see drawing no. 91905-9-0962

### ORDER INFORMATION

Description	Version	ID no.
Strike box GEZE GK 50	stainless steel satin	111463
	stainless steel polished	119883
	anodised aluminium EV1	135100
Additional shim IL 50 for 8 mm glass		135149

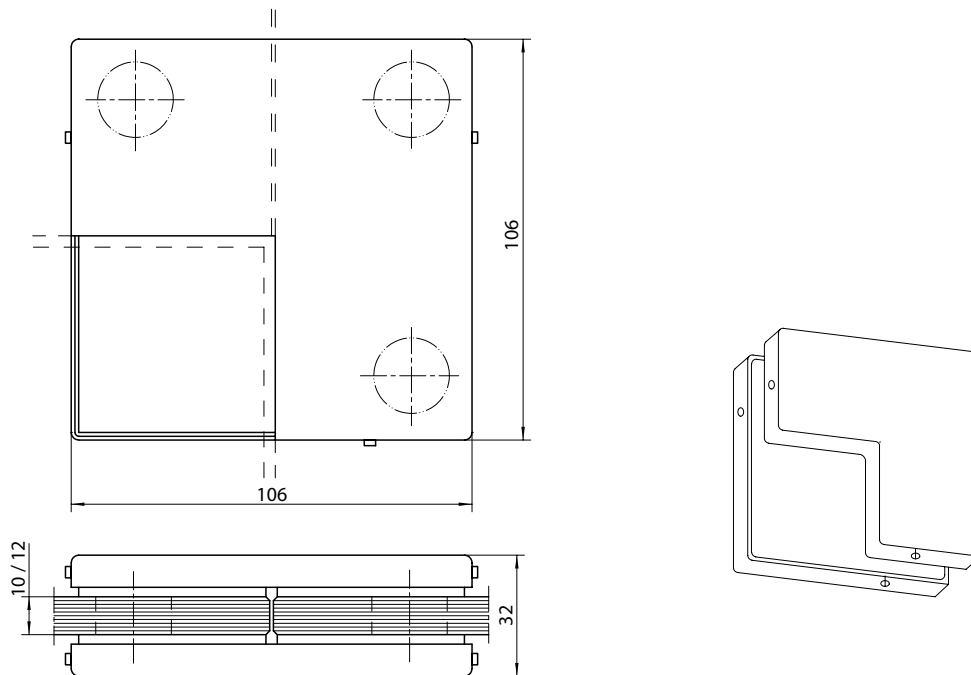
**Connecting fitting with buffer stop GEZE PT 62**

- Connecting fitting with stop plate
- Surface made of anodised aluminium, stainless steel satin or polished

**GEZE PT 62**



Drawing no. 91905-1-0109



Glass preparation, see drawing no. 91905-9-0954

**ORDER INFORMATION**

Description	Version	ID no.
Connecting fitting with buffer stop GEZE PT 62	stainless steel satin	127229
	stainless steel polished	127276
	anodised aluminium EV1	135087
Additional shim IL 62 for 8 mm glass		135141

# GEZE PATCH FITTINGS

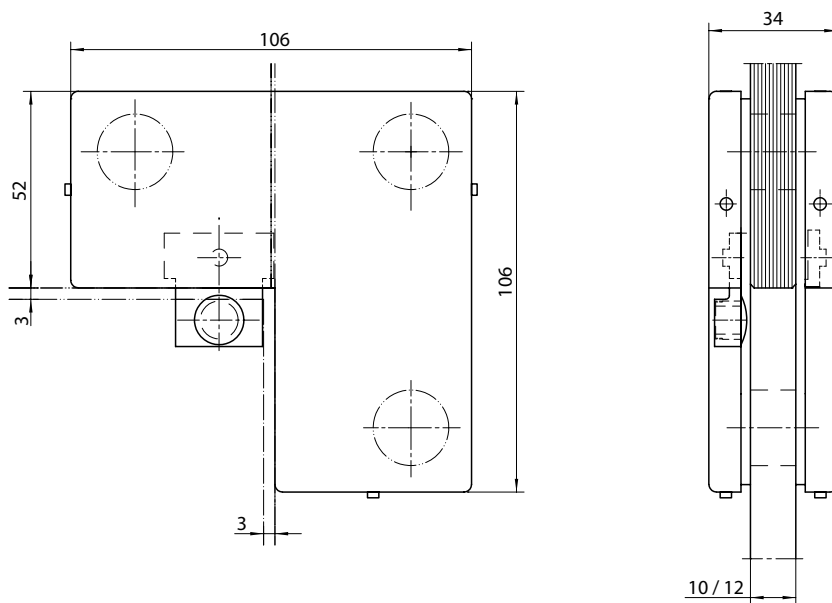
## Connecting fitting GEZE PT 63

- Corner connection fixed panel/fanlight
- Surface made of anodised aluminium, stainless steel satin or polished

### GEZE PT 63



Drawing no. 91905-1-0110



Glass preparation, see drawing no. 91905-9-0954

### ORDER INFORMATION

Description	Version	ID no.
Connecting fitting GEZE PT 63	stainless steel satin	111469
	stainless steel polished	119887
	anodised aluminium EV1	135088
Additional shim IL 63 for 8 mm glass		135142

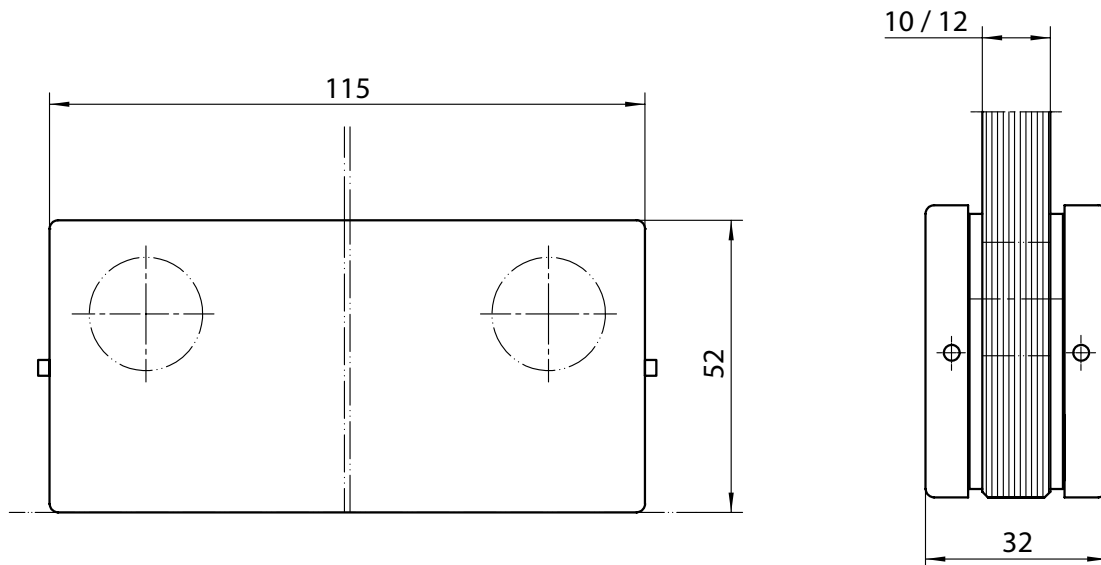
**Connecting fitting GEZE PT 70**

- Connecting fitting (fanlight/twofold)
- Surface made of anodised aluminium, stainless steel satin or polished

GEZE PT 70



Drawing no. 91905-1-0111



Glass preparation, see drawing no. 91905-9-0956

**ORDER INFORMATION**

Description	Version	ID no.
Connecting fitting GEZE PT 70	stainless steel satin	111471
	stainless steel polished	119889
	anodised aluminium EV1	135089
Additional shim IL 70 for 8 mm glass		135143

# GEZE PATCH FITTINGS

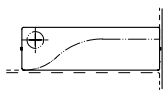
## Double fanlight fitting GEZE PT 75

- Double fanlight fitting with two pivot pins (D=15 mm), without reinforcement
- Surface made of anodised aluminium, stainless steel satin or polished

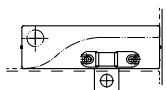
### GEZE PT 75



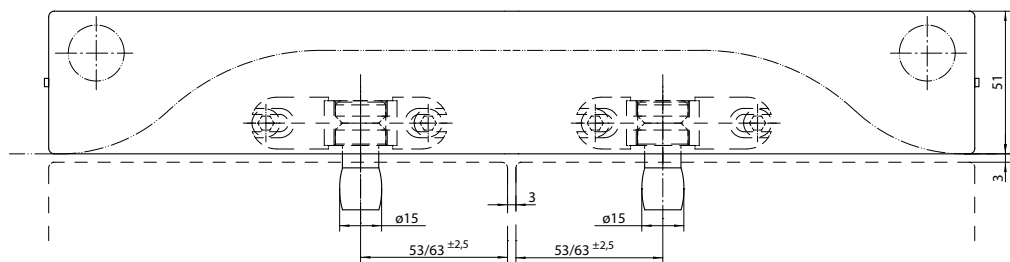
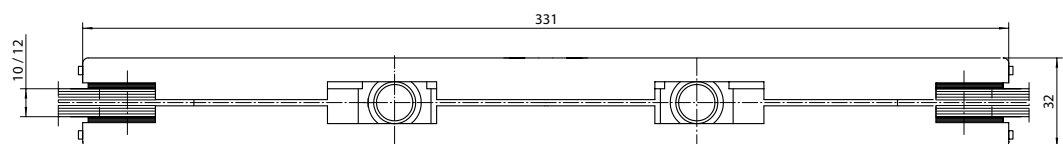
Drawing no. 91905-1-0112



Blind insert IS-BLK



Backstop insert IS-BS



Glass preparation, see drawing no. 91905-9-0957

## ORDER INFORMATION

Description	Version	ID no.
Double fanlight fitting GEZE PT 75	stainless steel satin	127277
	stainless steel polished	127278
	anodised aluminium EV1	135090
Blind insert IS-BLK	stainless steel satin	135349
	stainless steel polished	135106
	anodised aluminium EV1	135350
Backstop insert IS-BS	steel	135105
Additional shim IL 75/20 for 8 mm glass		135144



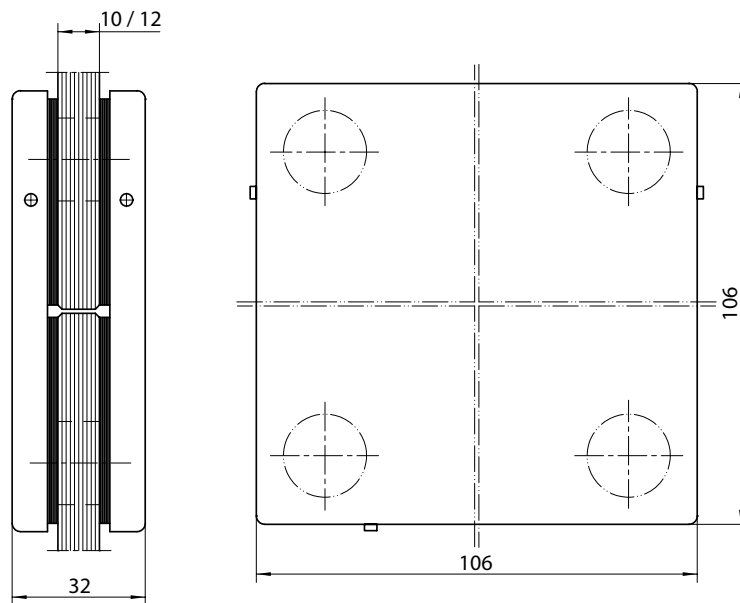
**Connecting fitting GEZE PT 80**

- Connecting fitting (fourfold)
- Surface made of anodised aluminium, stainless steel satin or polished

**GEZE PT 80**



Drawing no. 91905-1-0113



Glass preparation, see drawing no. 91905-9-0958

**ORDER INFORMATION**

Description	Version	ID no.
Connecting fitting GEZE PT 80	stainless steel satin	111473
	stainless steel polished	119891
	anodised aluminium EV1	135091
Additional shim IL 80 for 8 mm glass		135145

# GEZE PATCH FITTINGS

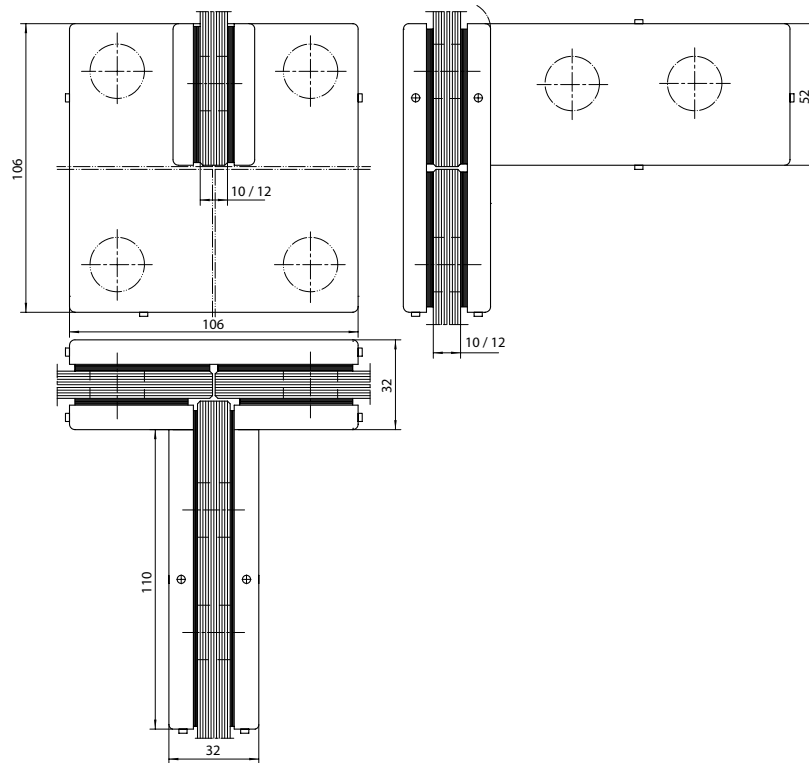
## Connecting fitting with reinforcement GEZE PT 81

- Fanlight fitting with centre reinforcement
- Surface made of anodised aluminium, stainless steel satin or polished

### GEZE PT 81



Drawing no. 91905-1-0114



Glass preparation, see drawing no. 91905-9-0959

### ORDER INFORMATION

Description	Version	ID no.
Connecting fitting with reinforcement GEZE PT 81	stainless steel satin	127230
	stainless steel polished	127275
	anodised aluminium EV1	135092
Additional shim IL 81 for 8 mm glass		135146

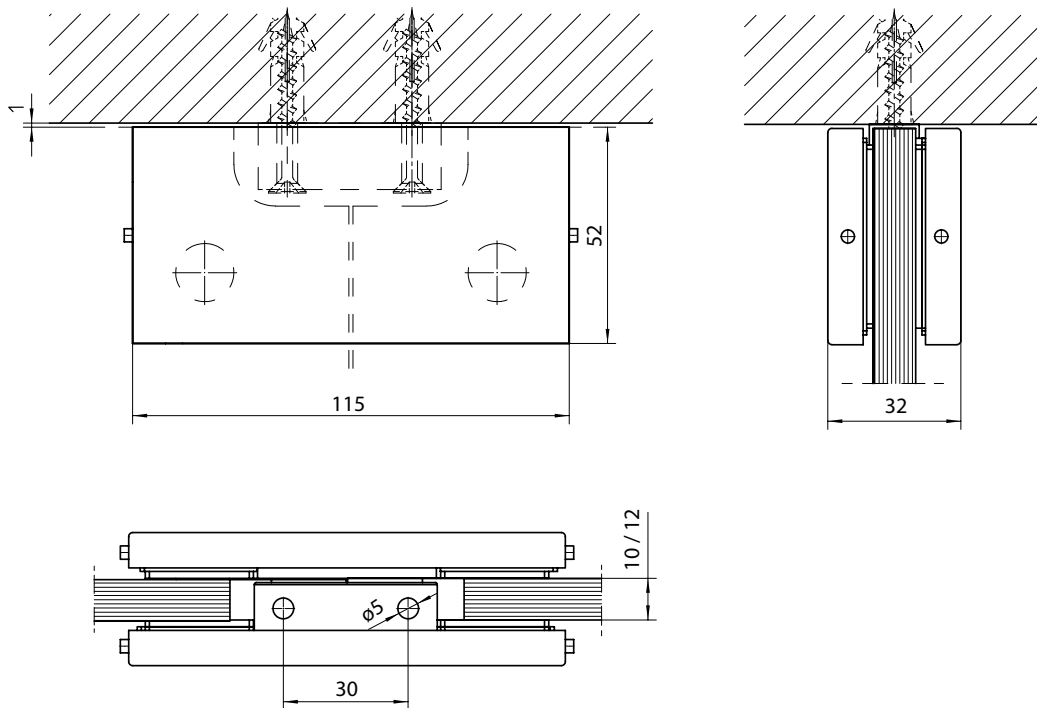
**Connecting fitting for wall attachment GEZE PT 84**

- Glass/wall connection (twofold)
- Surface made of anodised aluminium, stainless steel satin or polished

**GEZE PT 84**



**Drawing no. 91905-1-0115**



Glass preparation, see drawing no. 91905-9-0960

**ORDER INFORMATION**

Description	Version	ID no.
<b>Connecting fitting for wall attachment GEZE PT 84</b>	stainless steel satin	124164
	stainless steel polished	124165
	anodised aluminium EV1	135093
Additional shim IL 84 for 8 mm glass		135147

# GEZE PATCH FITTINGS

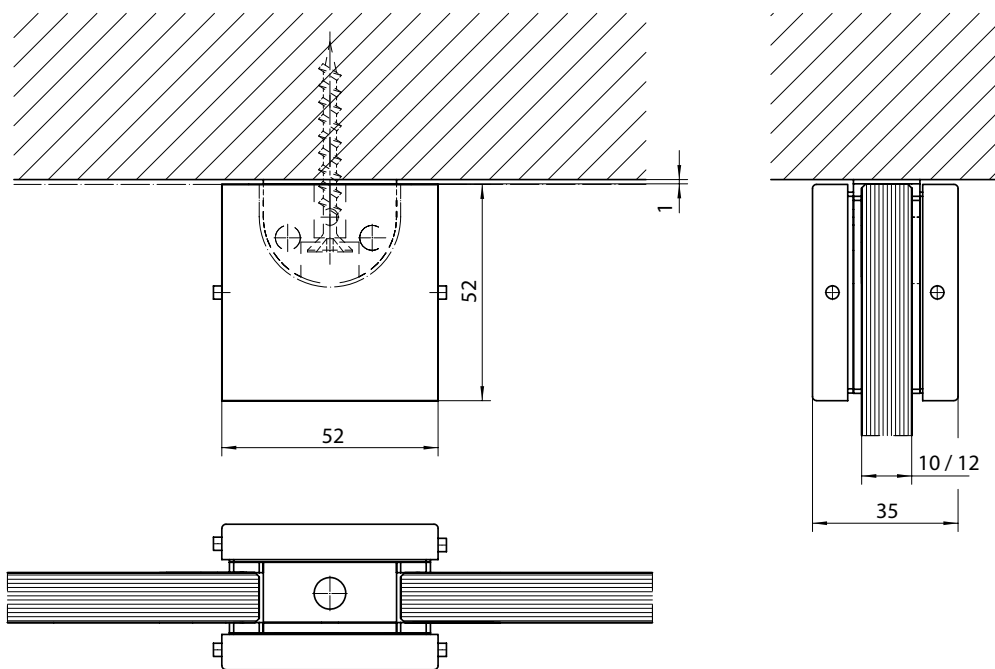
### Connecting fitting for wall attachment GEZE PT 90

- Glass/wall connection (simplex)
- Surface made of anodised aluminium, stainless steel satin or polished

#### GEZE PT 90



Drawing no. 91905-1-0116



Glass preparation, see drawing no. 91905-9-0961

### ORDER INFORMATION

Description	Version	ID no.
Connecting fitting for wall attachment GEZE PT 90	stainless steel satin	124162
	stainless steel polished	124163
	anodised aluminium EV1	135094
Additional shim IL 90 for 8 mm glass		135148

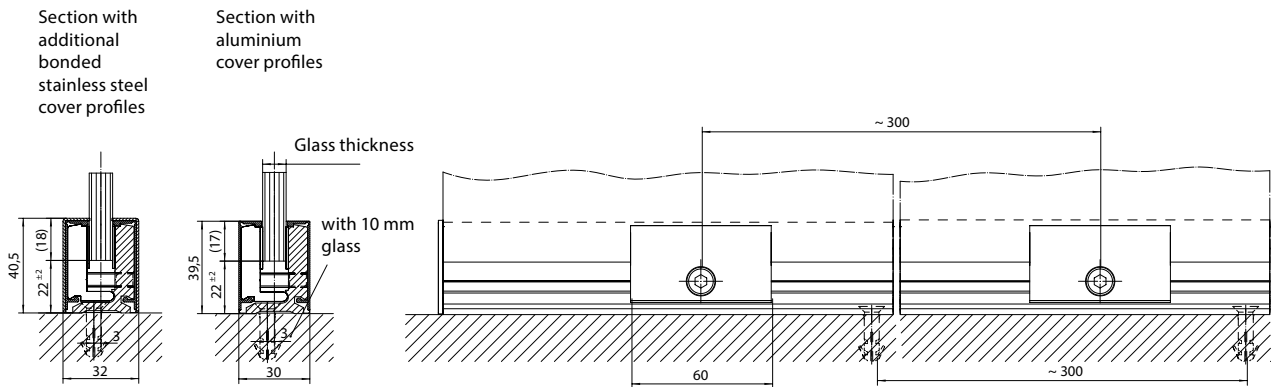
**Fixed panel clamp fitting GEZE FP**

- Fixed panel clamp fitting with cover profiles in anodised aluminium - length 6 m - for 10 mm and 12 mm glass
- Additional self-adhesive cover profiles and cover caps of stainless steel satin or polished

**GEZE FP-P**



**Drawing no. 91905-1-0125**



Description	Version	ID no.
	anodised aluminium brushed E2/EV1	138075
	anodised aluminium simulated stainless steel C31	138076
Cover profile FP-C L = 3000 mm	stainless steel satin	127220
	stainless steel polished	127219
End cap FP-EC for 10 mm glass	stainless steel satin	127232
	stainless steel polished	127231
	anodised aluminium, anodised aluminium EV1	135978
Accessory for 12 mm glass FP-12 (for 6 m profile)		138109

## GEZE PATCH FITTINGS

### GEZE products in combination with Patch Fittings

#### PENDULO C

##### Transparency and functionality

GEZE Pendulo C is a door rail with an integrated door closer. It protects the endangered lower glass edge of single-action doors against damage and leads the open door leaf comfortably back into its closing position.

The profiles enable door leaf widths up to 1100 mm. Due to the refined path of the door closer in the door rail, the partly disturbing floor mounted fixtures become redundant. The door can be pre-mounted comfortably in the workshop.

Only for the floor bearing and the upper pivot pins, simple drillings need to be undertaken on site. Bearings and pivots can be fixed easily. Afterwards the door can be simply hung and the closer is adjusted.



#### FLOOR SPRINGS

##### Diversity and reliability

GEZE floor springs move single-action and double-action doors of any material in a reliable and unobtrusive way.

The product range comprises systems for small and heavy leaf weights as well as door closers for use with smoke and fire protection doors. The floor springs for double-leaf doors contain an integrated closing sequence control or additionally an electromechanical hold-open device. They are installed on doors with carrying hinges with lever and guide rail.

By using the GEZE floor springs in combination with GEZE Patch Fittings it is possible to build very appealing double-action all-glass doors in an easy and economical way, suitable for both commercial and private use.



**The GEZE TS 500 NV and TS 500 N EN3 floor springs – small but perfectly formed**

The exceptionally low overall height of only 42 mm is only one of the unmatched benefits of the TS 500 NV and TS 500 N EN3 floor springs for single-action and double-action doors. They are unobtrusive but the perfect choice for both new and retrofitted buildings. Their invisible method of functioning – even in all-glass doors – is a great asset to small and medium-sized doors of up to 1100 mm and leaf weights of up to 150 kg. Used in conjunction with GEZE glass clamp fittings, they enable elegant and attractive all-glass double-action doors to be installed not only in highly frequented buildings (such as office complexes), but also in private residences. The longevity of the high-quality individual components has been proven in practice, with 500,000 closing and opening cycles performed without any signs of wear.

**GEZE TS 500 NV / N EN3**



**Low overall height** of only 42 mm (plus 3 mm in use with PT10)



**Up to 150 kg leaf weight** (100 kg for TS 500 N EN3)



**Closing force adjustable** size 1-4 according to EN 1154 (TS 500 N EN3 with fixed size 3)



**Back check fixed**



**Closing speed adjustable**



**Latching action adjustable** (for TS 500 NV only)



**Optional hold-open device** 85°, 90°, 105°, 120°



**Closing action from 175°**

**ORDER INFORMATION**

Description	Version	ID no.
GEZE TS 500 NV	without hold-open device	102084
GEZE TS 500 N EN3	without hold-open device	103086
	stainless steel satin	102127
Cover plates with screw accessories	dark bronze	103011
	satn brass	103012

# GEZE PATCH FITTINGS

## The floor spring GEZE TS 550 NV – convenient and secure

The TS 550 NV offers comfort and elegance for double-action and single-action doors with leaf weights of up to 300 kg. The invisible functionality is an incontestable advantage especially for all-glass doors. Particularly when used with highly frequented doors in entrance areas (e.g. office buildings and hall entrances) its versatility and robustness become even more apparent.

GEZE TS 550 NV



**Slim installation height** of only 54 mm (plus 3 mm in use with PT10)



Interchangeable spindle cap for **leaf weights of up to 300 kg**



**Closing force with variable adjustment** EN3 to EN6



**Integrated back check** to prevent hard shocks



**Closing speed with individual adjustment**



**Adjustable latching action** for secure closing



**Hydraulic hold-open device with variable adjustment between 80° and 165°** und **integrated delayed closing action** to prevent the door from closing too rapidly

### ORDER INFORMATION

Description	Version	ID no.
GEZE TS 550 NV		123950
Cover plates, reinforced to 1.5 mm material thickness	stainless steel satin	125888
	dark bronze	125890
	satin brass	125889



GEZE References



Media-TIC, Barcelona, Spain



Media-TIC, Barcelona, Spain



Glas Trösch, Kempten, Germany